





# FROM VISION TO VIEW™

Effortlessly connecting the indoors and outdoors, Western Window Systems brings your vision to life. With products that offer unparalleled customization, our solutions add value and distinction to every project. Whether it's large sliding glass doors or custom window walls, we engineer our products to transform spaces with performance, flexibility, and beauty. These are just a few of the reasons to choose Western Window Systems—where every view is a reflection of your vision.

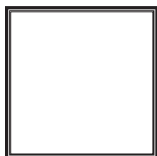




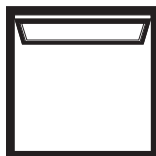
# INTRODUCING THE SERIES 8000 VANTAGE LINE



INTRODUCING THE SERIES 8000 VANTAGE LINE



**Series 8630**  
Fixed/Window Wall



**Series 8665**  
Pass-Through  
Awning Window



**Series 8660**  
Awning Window



**Series 8670**  
Casement Window

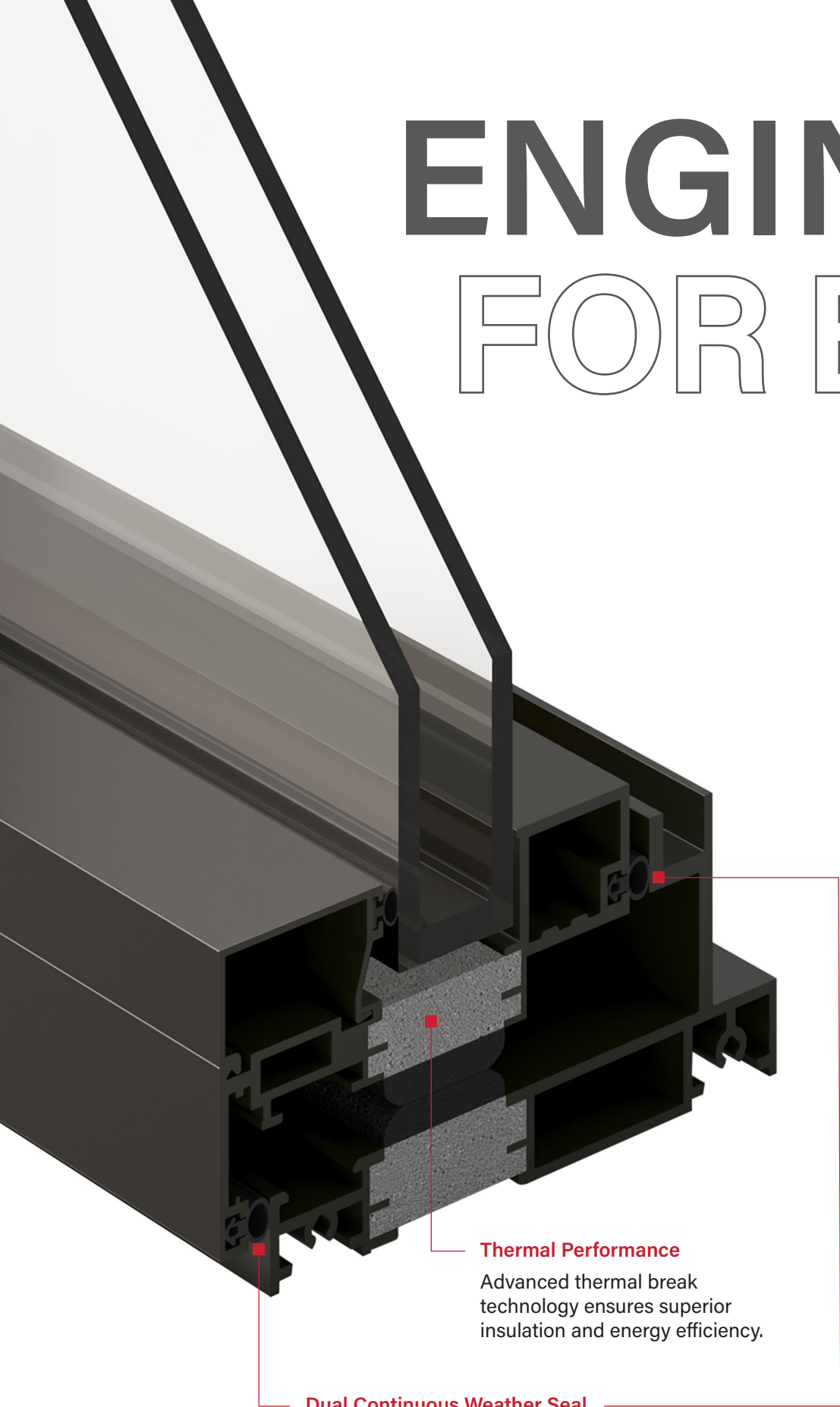
## The Vantage Line

From this vantage point, discover grander views. With an ultra-thin frame, the Vantage Line minimizes sightlines to seamlessly blend your interiors with your view. But there's no form over function here. Featuring Euro Groove frames and the latest thermal barrier technology, our newest window line is engineered for exceptional performance.



[Learn more](#)

# ENGINEERED FOR EFFICIENCY



**Thermal Performance**  
Advanced thermal break technology ensures superior insulation and energy efficiency.

**Dual Continuous Weather Seal**  
Engineered for high air, water, and structural performance, providing exceptional protection against the elements.

## Title 24 Compliance and Beyond



Designed to meet both current and future Title 24 prescriptive thermal values, the Series 8000 Vantage Line offers a perfect balance of performance and flexibility. With innovative design features and advanced thermal break technology, our aluminum products surpass industry standards, providing exceptional energy efficiency without sacrificing aesthetics.

## Series 8000 Energy Factors

Product Type	LoE <sup>3</sup> -366 with Argon		LoE <sup>3</sup> -366 / LoE-i89 with Argon	
	U-Factor	SHGC	U-Factor	SHGC
Series 8630 Window Wall	.28	.24	.24	.24
Series 8660 Awning Window	.30	.20	.28	.20
Series 8665 Pass-Through Awning Window	.30	.20	.28	.20
Series 8670 Casement Window	.30	.20	.27	.20



## CAD Details

Find the most up-to-date details and renderings of our products on our CAD Details site



# VANTAGE LINE

## SERIES 8630

### FIXED WINDOW AND WINDOW WALL

The Series 8630 Fixed Window/Window Wall offers our narrowest sightlines yet. With an ultra-slim, thermally broken aluminum frame, it seamlessly connects indoor and outdoor spaces, delivering unobstructed views and exceptional energy efficiency. This window wall features a 4.5" frame depth and can be paired with any of our Series 8000 operable windows. Designed for a sleek, contemporary look, it's precisely engineered and rigorously tested for peak performance.

#### Extreme Sizes

- Up to 60" W x 120" H, or 50 sq. ft.
- 120" W x 120" H True Divided Lite Option

#### Thermal Values

Industry-leading U-Factor starting at .24

#### Performance

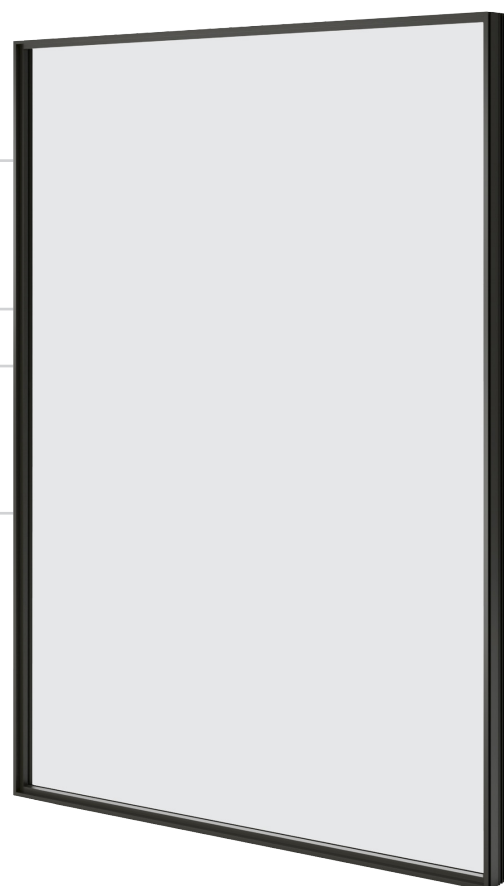
Rated AW90

#### Glass Options

Multiple low-E argon-filled glass options

**Ultra-Thin Sightline**  
1.4"

**Additional Glazing Option**  
90-Degree Butt-Glazed





# VANTAGE LINE SERIES 8660 AWNING WINDOW

The Series 8660 Awning Window features top hinges and opens outward from the bottom, making it ideal for enhancing natural light and ventilation in modern spaces. This window design, typically wider than tall, showcases ultra-thin frames from the Vantage Line while delivering exceptional thermal performance. With a 4.5" frame depth, it's meticulously designed for a sleek, contemporary aesthetic and is precisely engineered and rigorously tested to deliver peak performance.

#### Extreme Sizes

- Up to 60" W x 72" H or
- Up to 72"W x 60" H

#### Thermal Values

Industry-leading U-Factor starting at .28

#### Performance

Rated CW50

#### Glass Options

Multiple low-E argon-filled glass options

Ultra-Thin Sightline  
2 3/8"

#### FlexScreen

Standard on Series 8000 casement and awning windows, nearly invisible, easy to install, and built to last.





# VANTAGE LINE SERIES 8665 PASS-THROUGH AWNING WINDOW

The Series 8665 Pass-Through Awning Window is designed for seamless indoor-outdoor transitions, making it ideal for applications like kitchens that open to outdoor patios. This window features pressurized gas struts for smooth operation, along with concealed hinges and an interior flush handle for a clean, modern look. With ultra-thin sightlines and the same high-performance standards as the Series 8660, it's meticulously engineered and rigorously tested to deliver exceptional performance and aesthetics. Also available with a no-sill option.

**Extreme Sizes**  
Up to 84" W x 60"H

**Thermal Values**  
Industry-leading U-Factor starting at .28

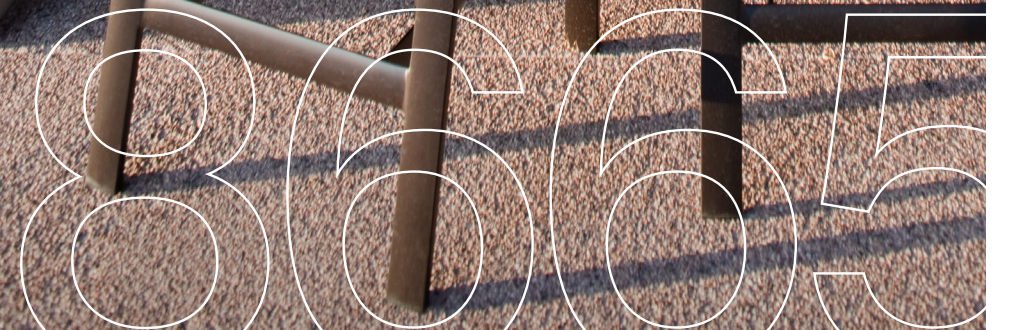
**Performance**  
Rated CW50

**Glass Options**  
Multiple low-E argon-filled  
glass options

**Ultra-Thin Sightline**  
2 3/8"

**Sleek  
Hardware  
Integration**

Concealed pressurized  
gas struts.





# VANTAGE LINE SERIES 8670 CASEMENT WINDOW

The Series 8670 Casement Window features side hinges that allow it to swing outward to the left or right, offering flexibility in design. With a thermally broken, ultra-thin aluminum frame, it delivers exceptional performance while maintaining a sleek, contemporary aesthetic. Designed with a 4.5" frame depth, it integrates seamlessly with our Vantage product line, maximizing views and ventilation. Meticulously engineered and rigorously tested, it ensures peak performance in any application.

#### Extreme Sizes

Up to 42" W x 120" H

#### Thermal Values

Industry-leading U-Factor starting at .27

#### Performance

Rated CW50

#### Glass Options

Multiple low-E argon-filled glass options

#### Ultra-Thin Sightline

2 3/8"

#### FlexScreen

Standard on Series 8000 casement and awning windows, nearly invisible, easy to install, and built to last.

#### Sleek Hardware Integration

Concealed, heavy duty Euro Groove hinges.





# DESIGN OPTIONS

## Mulling

The Series 8000 Line offers seamless mulling, allowing windows to combine effortlessly with any other product in the family. This flexibility creates a cohesive, uniform look across your project, from expansive window walls to operable and fixed windows. The zero-mull option enhances the sleek, uninterrupted design, ideal for modern aesthetics.

## Customizable Grid Options

Elevate your design with our customizable grid options. Whether you prefer a classic or contemporary style, our grid configurations allow you to tailor the look of your windows, adding character and depth while perfectly complementing the sleek lines of the Series 8000.

## Concealed, Heavy-Duty Euro Groove Hinges

Adjustable and discreet, these hinges provide strong support for substantial weight while maintaining a clean look.

## Multi-Point Locks

Enhanced security with multiple locking points, ensuring a tight, secure seal for peace of mind.

## Modern, Folding Hardware (Lock & Handle)

Sleek and functional, the folding hardware offers a contemporary look with smooth operation.

## ADA Options

Accessibility-focused hardware designed to meet ADA standards, providing ease of use for everyone.



Bronze Anodized

Satin Anodized

Western Grey

Stonish Beige

Navajo White

Hillside Bronze

Cinnamon Toast

Briar

Bison Beige

Autumn Night

Standard White

Standard Warmtone

## In-Stock Finishes

Our Bronze Anodized and Satin Anodized aluminum finishes come standard, featuring a Class 1 coating thickness for enhanced smoothness and durability, providing a sleek, long-lasting finish.

## Designer Finishes

For a more personalized touch, our designer colors are inspired by popular paint choices within the homebuilding industry. Each finish is meticulously applied to meet or exceed AAMA-2605 standards, the highest rating for organic finishes, ensuring superior performance and longevity.

## Custom Finishes

If you have a specific color in mind, we offer custom finish options that can match virtually any color, allowing you to tailor your windows and doors to your exact specifications.

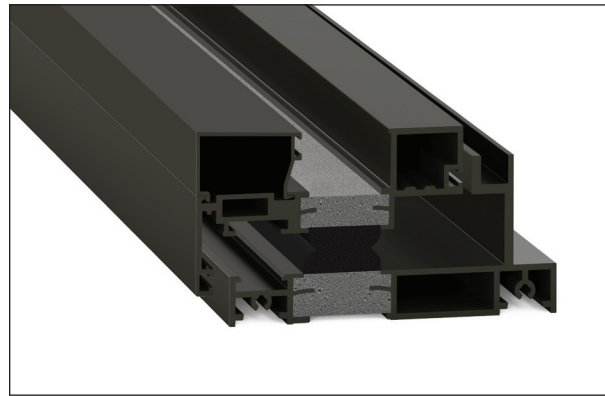


# DESIGN OPTIONS

## Standard Sill

The standard base sill, standing at 0.65" tall, is designed for use around the perimeter of all Series 8000 windows. It features an equal leg frame with 1" & 1.375" backset options of extruded nail fins, providing versatility and ease of installation.

### ■ Operable Standard Sill



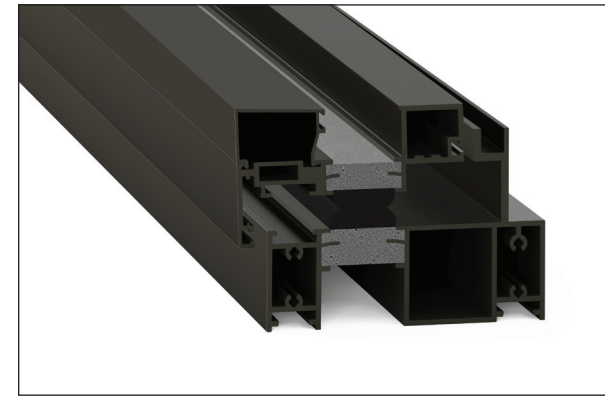
### ■ Fixed Standard Sill



## High Base Sill

For a more elevated profile, the high base sill is 1.525" tall and is compatible with all Series 8000 windows. Note that the high base sill does not include a nail fin, offering a streamlined look.

### ■ Operable High Base Sill



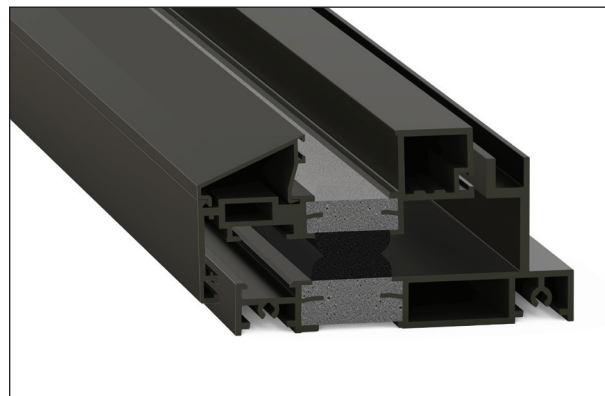
### ■ Fixed High Base Sill



## Beveled Stops

Enhance your design with our beveled stops. These refined details offer a sophisticated look that complements the ultra-thin sightlines of the Series 8000, allowing you to achieve a polished aesthetic with precise detailing.

### ■ Optional Operable Beveled Stop



### ■ Optional Fixed Beveled Stop



## VISIT OUR DESIGN STUDIOS

Experience Western Window Systems firsthand at one of our Design Studios. This non-point-of-sale space invites you to explore full-size products, finishes, hardware, and more. Collaborate with our experts to customize solutions for your project. Discover the possibilities at [westernwindowssystems.com/design-studios](https://westernwindowssystems.com/design-studios).

