

VANTAGE SERIES 8670 CASEMENT WINDOW



The Series 8670 Casement Window features side hinges for outward left or right swinging, a 2 3/8" thermally broken aluminum frame, and a 4.5" frame depth for seamless integration with the entire Vantage line. Available in widths from 18.5" to 42" and heights from 18.5" to 120", it offers superior views, ventilation, and certified performance by NFRC and AAMA.

Energy Efficiency

Achieve a U-factor as low as .27 for dual-paned low-E argon filled glass, with interior surface low-E. Glass can be customized in a variety of coatings, tints, and thicknesses for improved privacy, protection, and thermal efficiency. The thermally broken aluminum frame provides an insulating barrier that increases energy performance.

Hardware

The casement window features modern, folding hardware with stainless steel fasteners and a hidden multi-point locking system for easy operation. This hardware enhances both security and usability while maintaining a sleek, contemporary look.

FlexScreen

FlexScreens come standard with the casement window, offering superior visibility and natural light. They are easy to install, nearly indestructible, and feature a simple, clean design that integrates seamlessly with the window, enhancing your view without compromising functionality.

Finishes

Finishes are available in-stock or as designer selections, and they can be customized to match nearly any color. Bronze Anodized and Satin Anodized come standard with a Class 1 coating thickness for increased smoothness and durability. Our designer colors include a high-quality paint finish that conforms to a minimum rating of AAMA-2605, currently the highest rating for organic finishes.

Performance Table

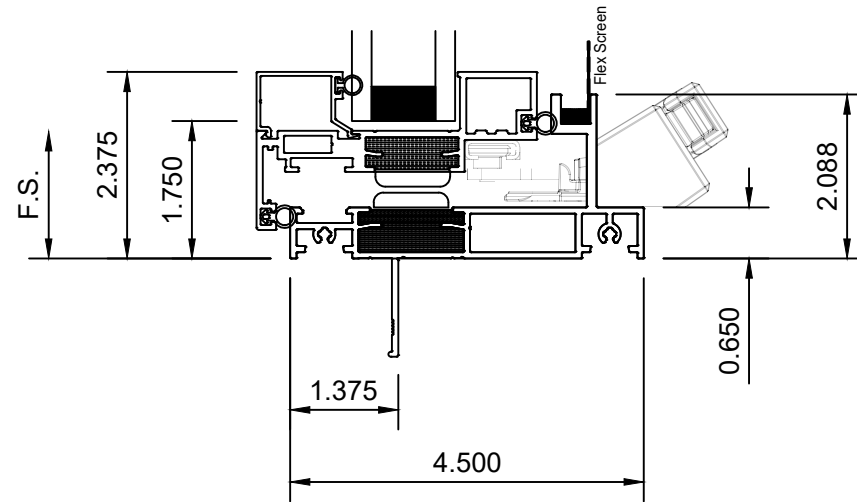
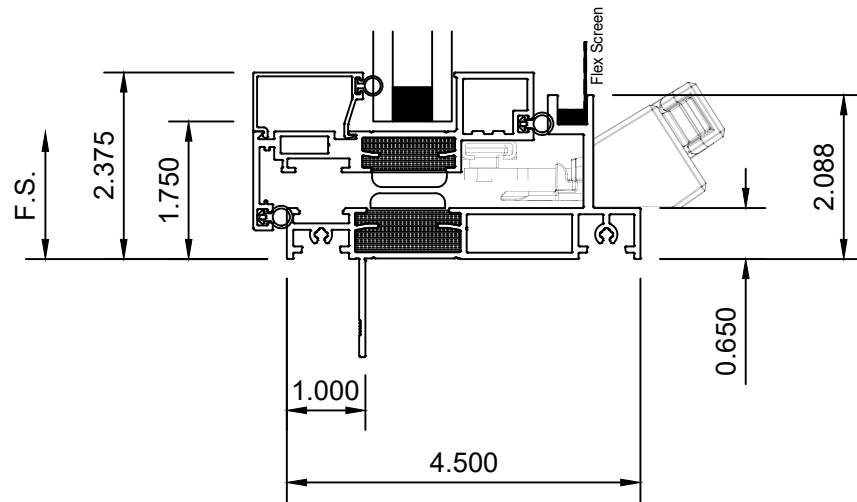
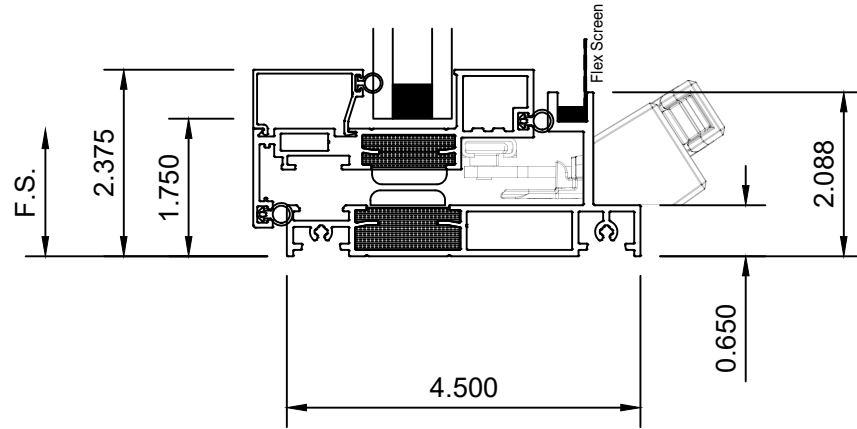
Frame Depth	4.5"
AAMA Product Designation	CW50
Test Configuration	CSMNT
Air Infiltration	.01 cfm/ft ²
Water Resistance (Per ASTM E 547)	7.5 psf
Uniform Load Deflection (Per ASTM E 330)	.38"
Forced Entry Resistance	Grade 20
U-Factor (Per NFRC 100)	.30 LoE ³ -366 with Argon / .27 LoE ³ -366/ LoE-i89 with Argon
CR (Per NFRC 500)	66 standard, 55 with i89

Actual values may vary depending on product specifications and configuration.

VANTAGE SERIES 8670 CASEMENT WINDOW



For more CAD details scan here

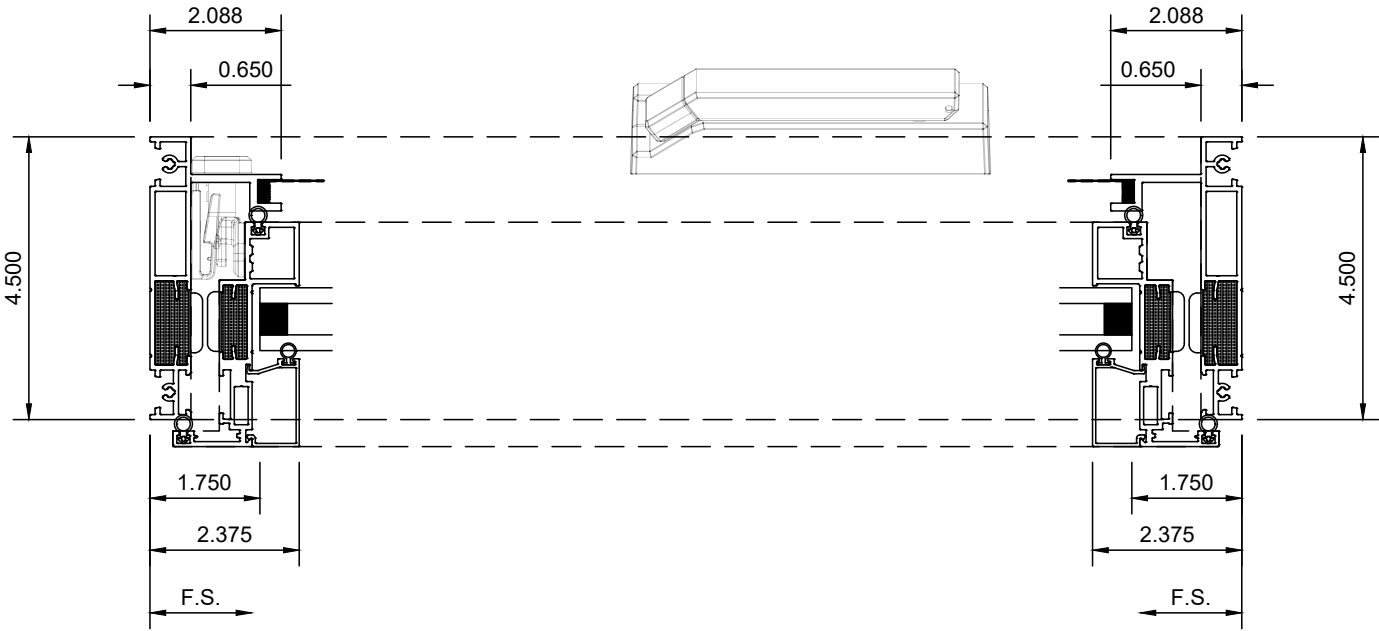
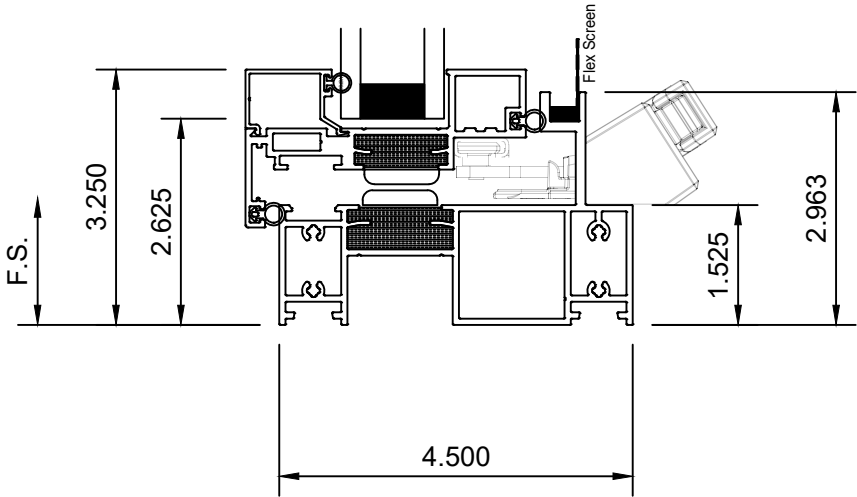


Standalone Unit

VANTAGE SERIES 8670 CASEMENT WINDOW



For more CAD details scan here

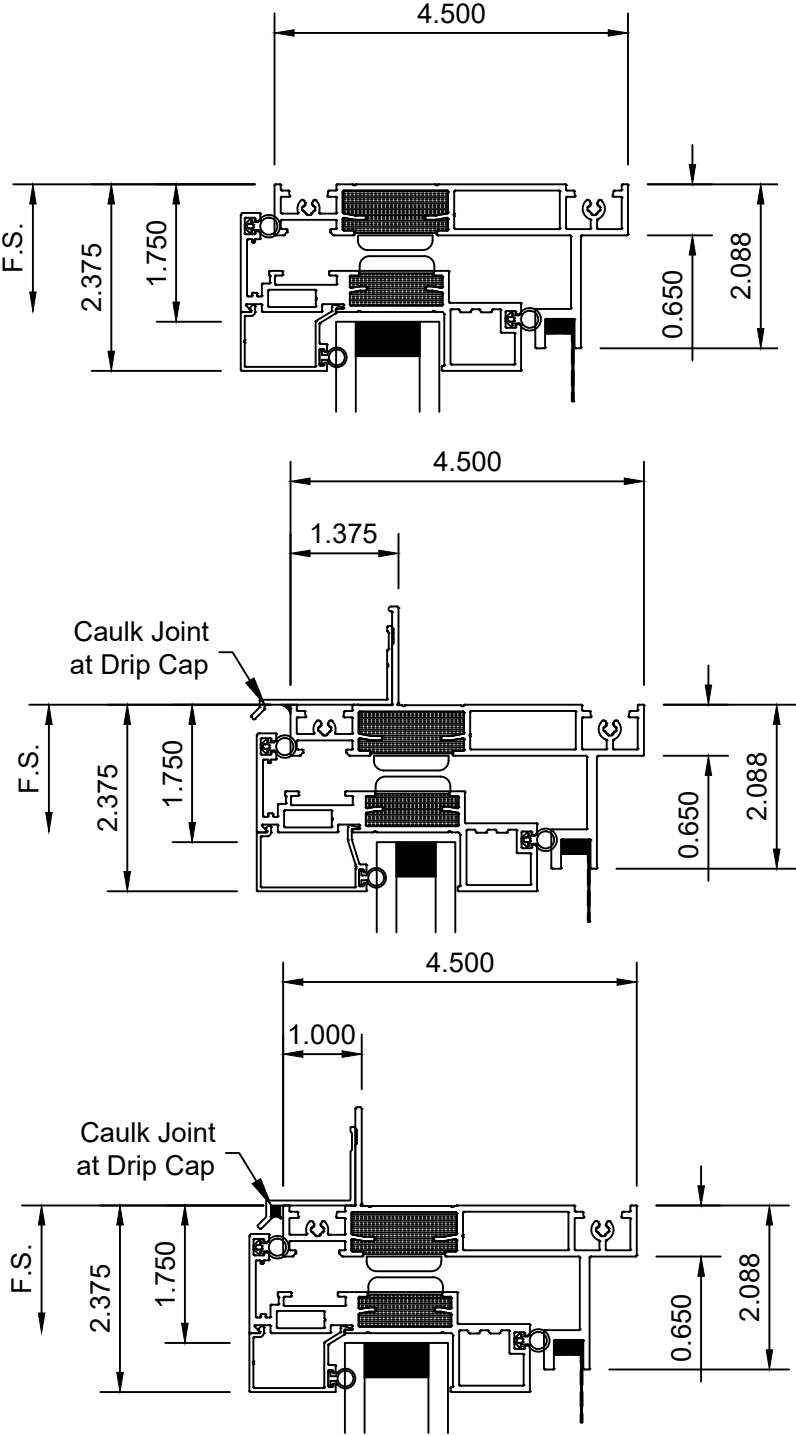


Standalone Unit

VANTAGE SERIES 8670 CASEMENT WINDOW



For more CAD details scan here

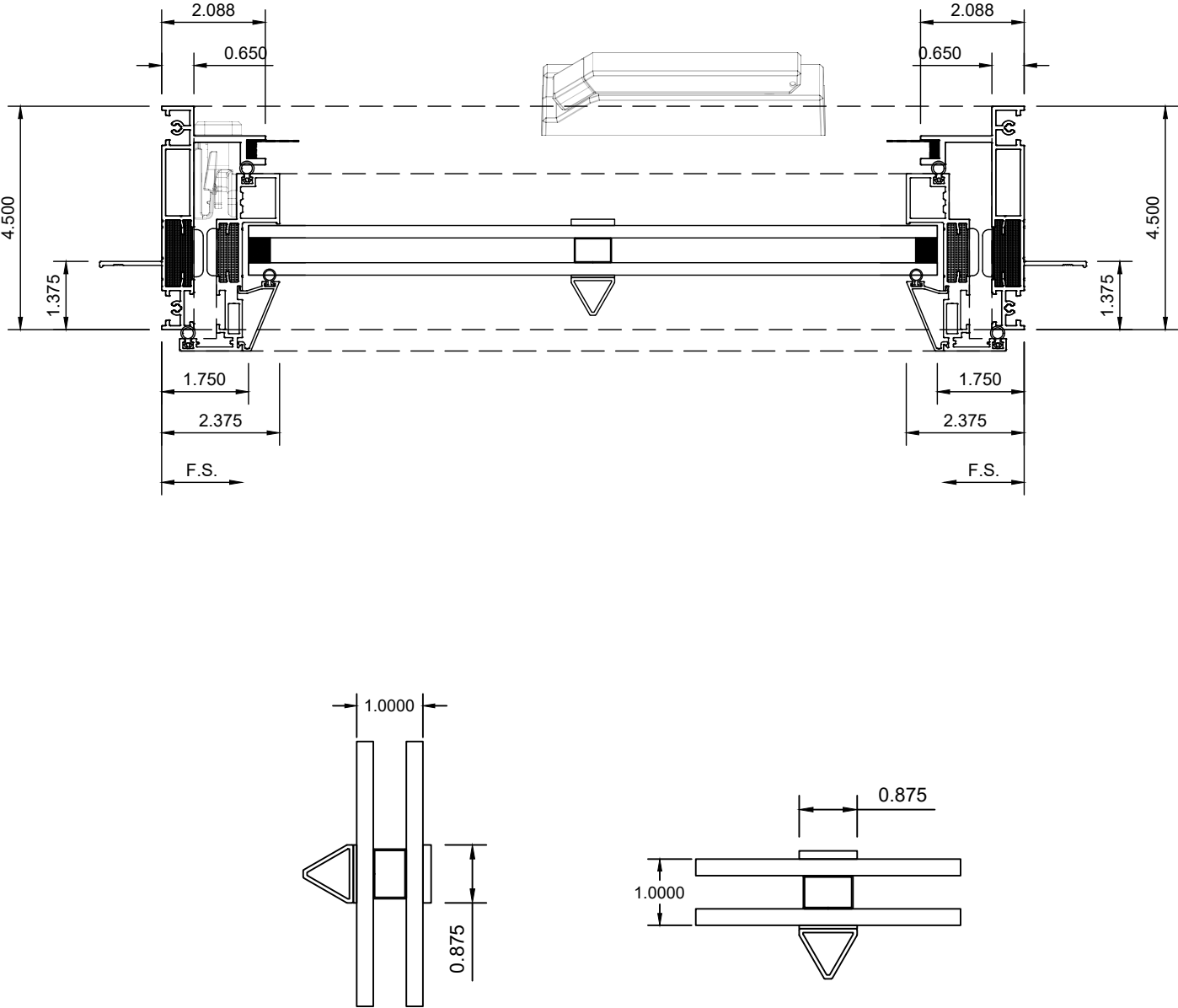


Standalone Unit

VANTAGE SERIES 8670 CASEMENT WINDOW



For more CAD
details scan here

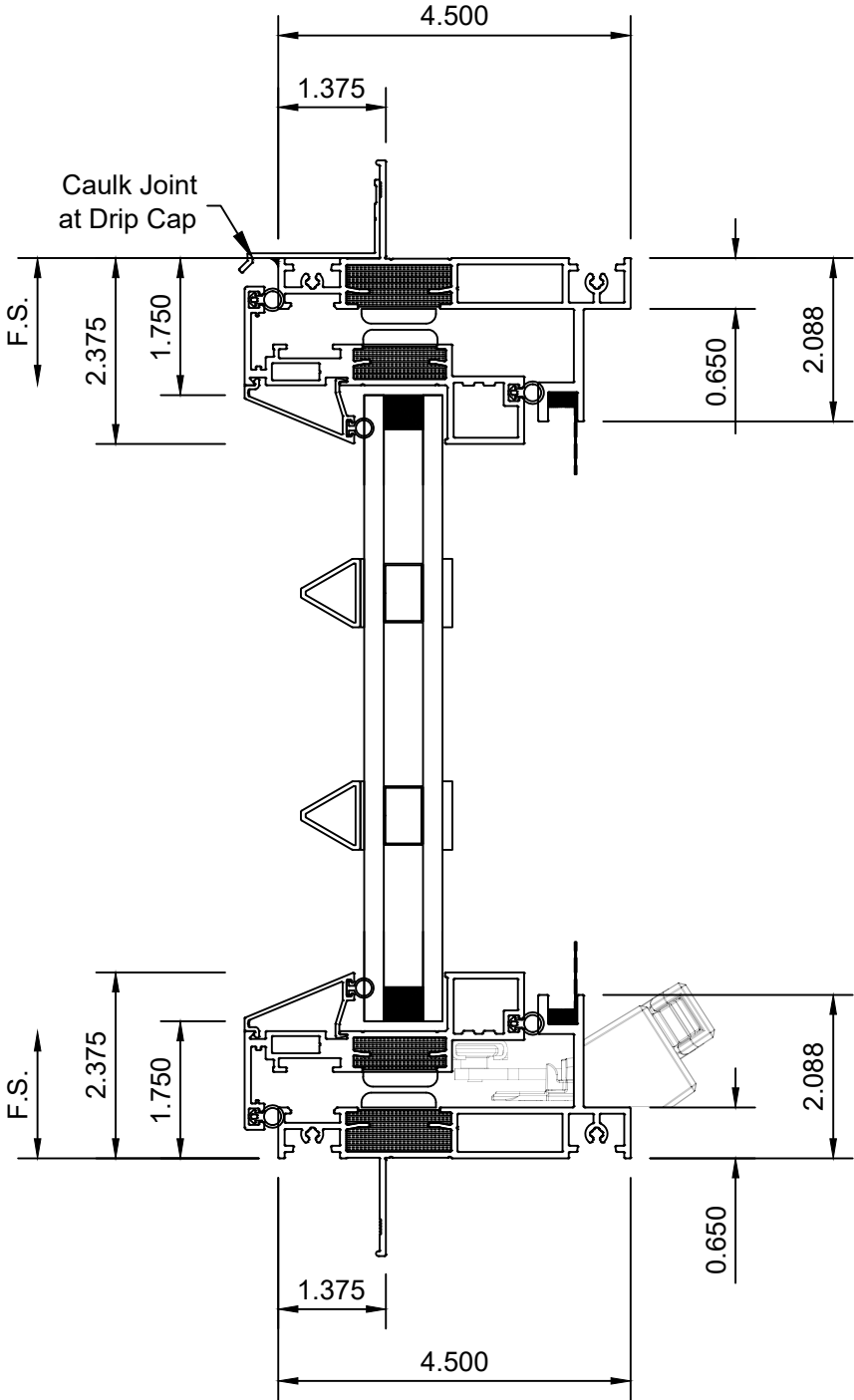


Standalone Unit - Beveled Grids

VANTAGE SERIES 8670 CASEMENT WINDOW



For more CAD
details scan here

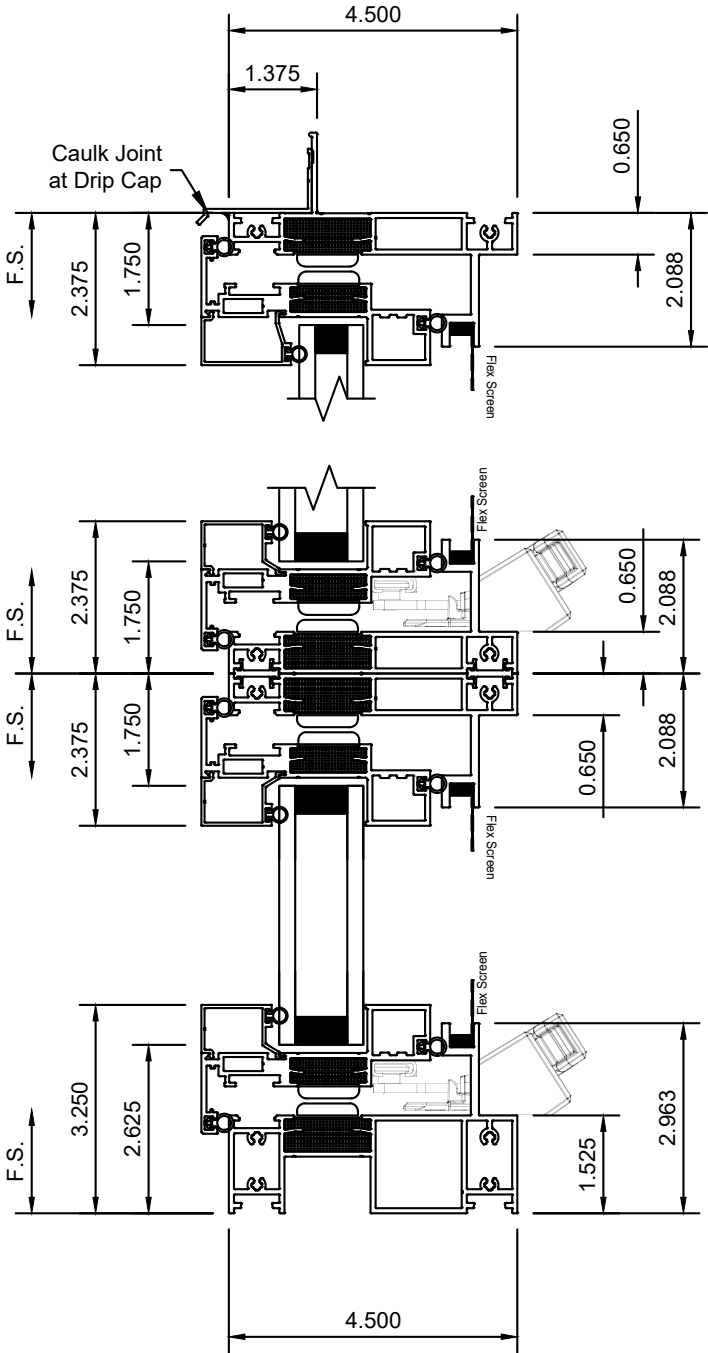


Standalone Unit - Beveled Grids

VANTAGE SERIES 8670 CASEMENT WINDOW



For more CAD details scan here

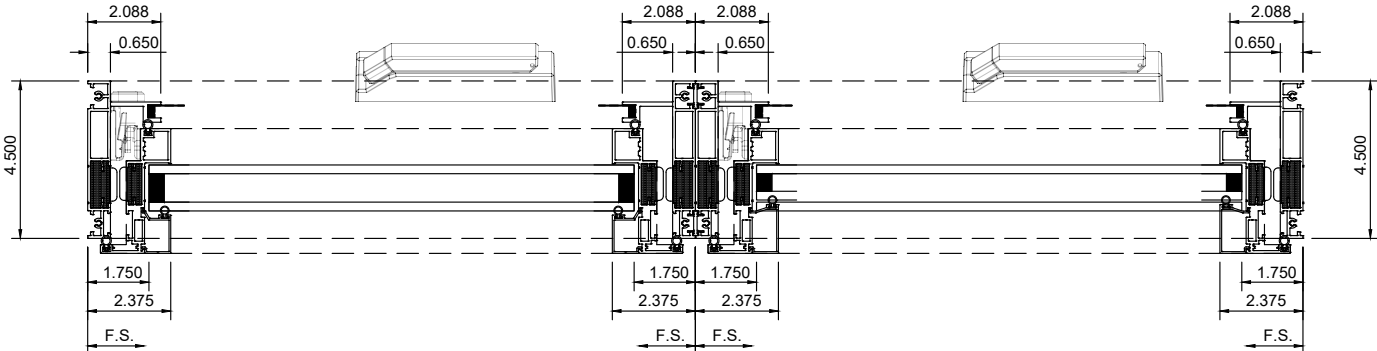


Casement Over Fixed - Muller Unit

VANTAGE SERIES 8670 CASEMENT WINDOW



For more CAD
details scan here

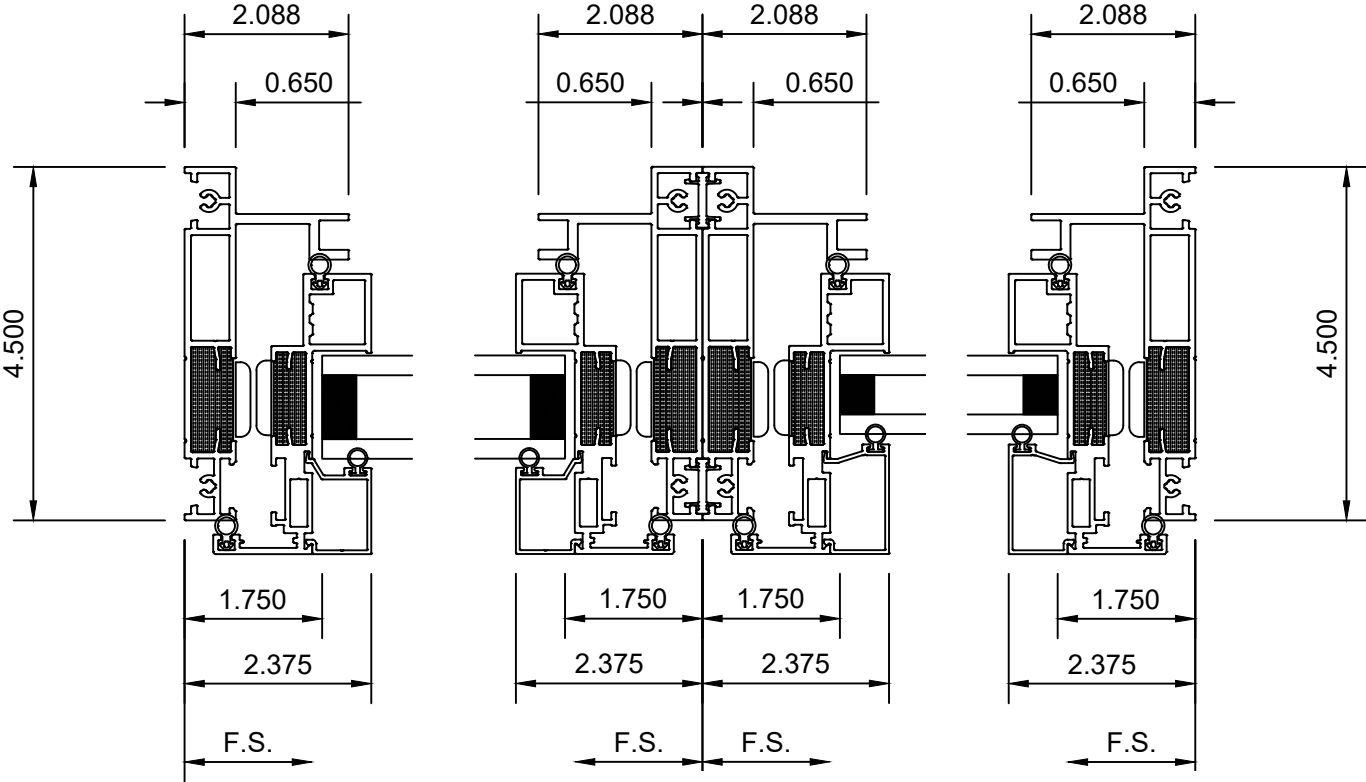


Casement - Mull Unit

VANTAGE SERIES 8670 CASEMENT WINDOW



For more CAD details scan here



Fixed Sash - Mullered Unit