

VANTAGE SERIES 8665 PASS-THROUGH AWNING WINDOW



The Series 8665 Pass-Through Awning Window offers seamless indoor-outdoor transitions, ideal for kitchens opening to patios. It features a “no sill” option to close directly onto your countertop, gas struts, concealed hinges, and a flush handle for a modern look. Available in widths from 24” to 96” and heights from 36” to 60”, it is certified by NFRC and AAMA for air, water, and structural performance.

Energy Efficiency

Achieve a U-factor as low as .28 for dual-paned low-E argon filled glass, with interior surface low-E. Glass can be customized in a variety of coatings, tints, and thicknesses for improved privacy, protection, and thermal efficiency. The thermally broken aluminum frame provides an insulating barrier that increases energy performance.

Hardware

The Series 8665 Pass-Through Awning Window has gas struts, concealed hinges, and a flush handle for smooth operation and a sleek look. It features stainless steel fasteners and a hidden multi-point locking system that match the window frame’s color, mounted on the interior.

Finishes

Finishes are available in-stock or as designer selections, and they can be customized to match nearly any color. Bronze Anodized and Satin Anodized come standard with a Class 1 coating thickness for increased smoothness and durability. Our designer colors include a high-quality paint finish that conforms to a minimum rating of AAMA-2605, currently the highest rating for organic finishes.

Performance Table

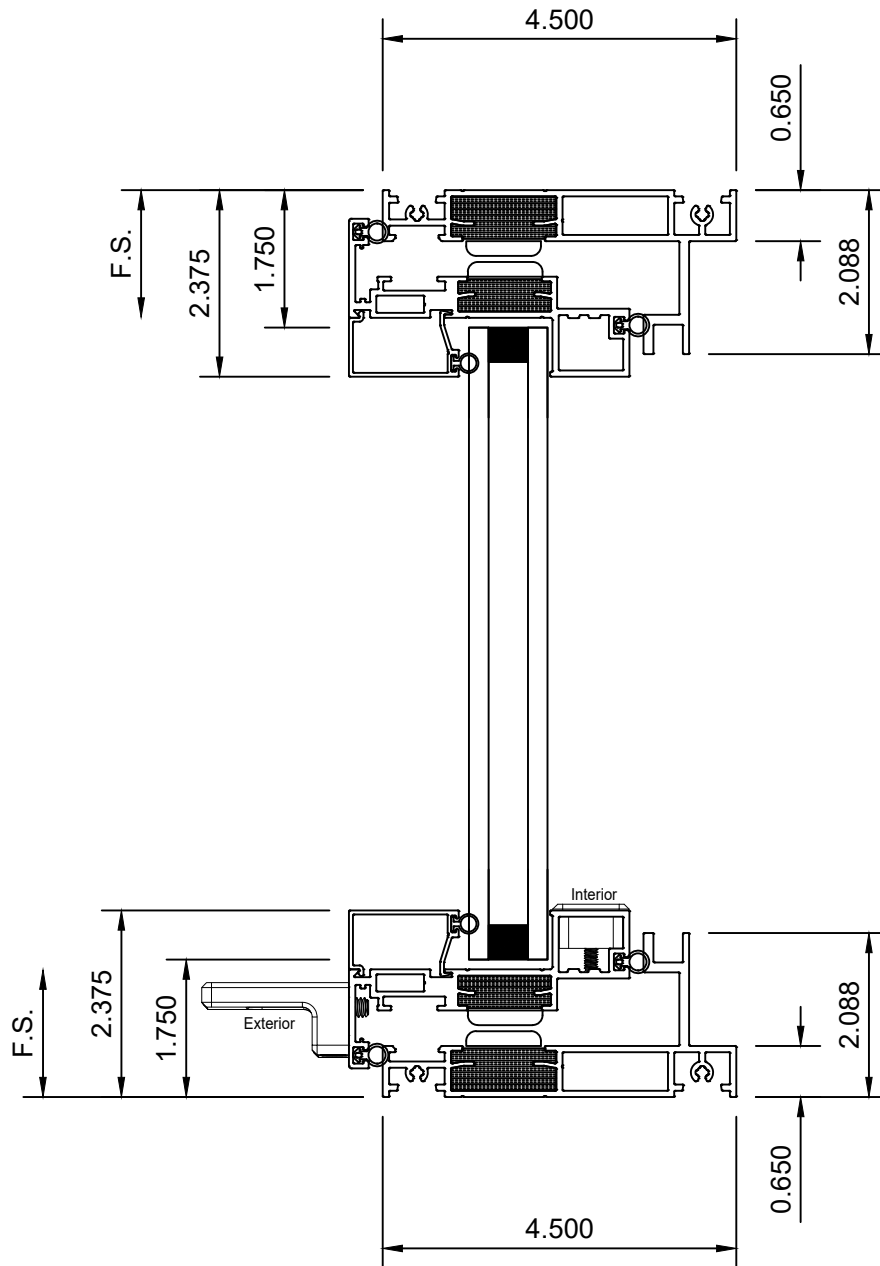
Frame Depth	4.5"
AAMA Product Designation	CW50
Test Configuration	AWNG
Air Infiltration (Per ASTM E 283)	.01 cfm/ft ²
Water Resistance (Per ASTM E 547)	7.5 psf
Uniform Load Deflection (Per ASTM E 330)	.16"
Forced Entry Resistance	Grade 20
U-Factor (Per NFRC 100)	.30 LoE ³ -366 with Argon / .28 LoE ³ -366/ LoE-i89 with Argon
CR (Per NFRC 500)	65 standard, 55 with i89

Actual values may vary depending on product specifications and configuration.

VANTAGE SERIES 8665 PASS-THROUGH AWNING WINDOW



For more CAD details scan here

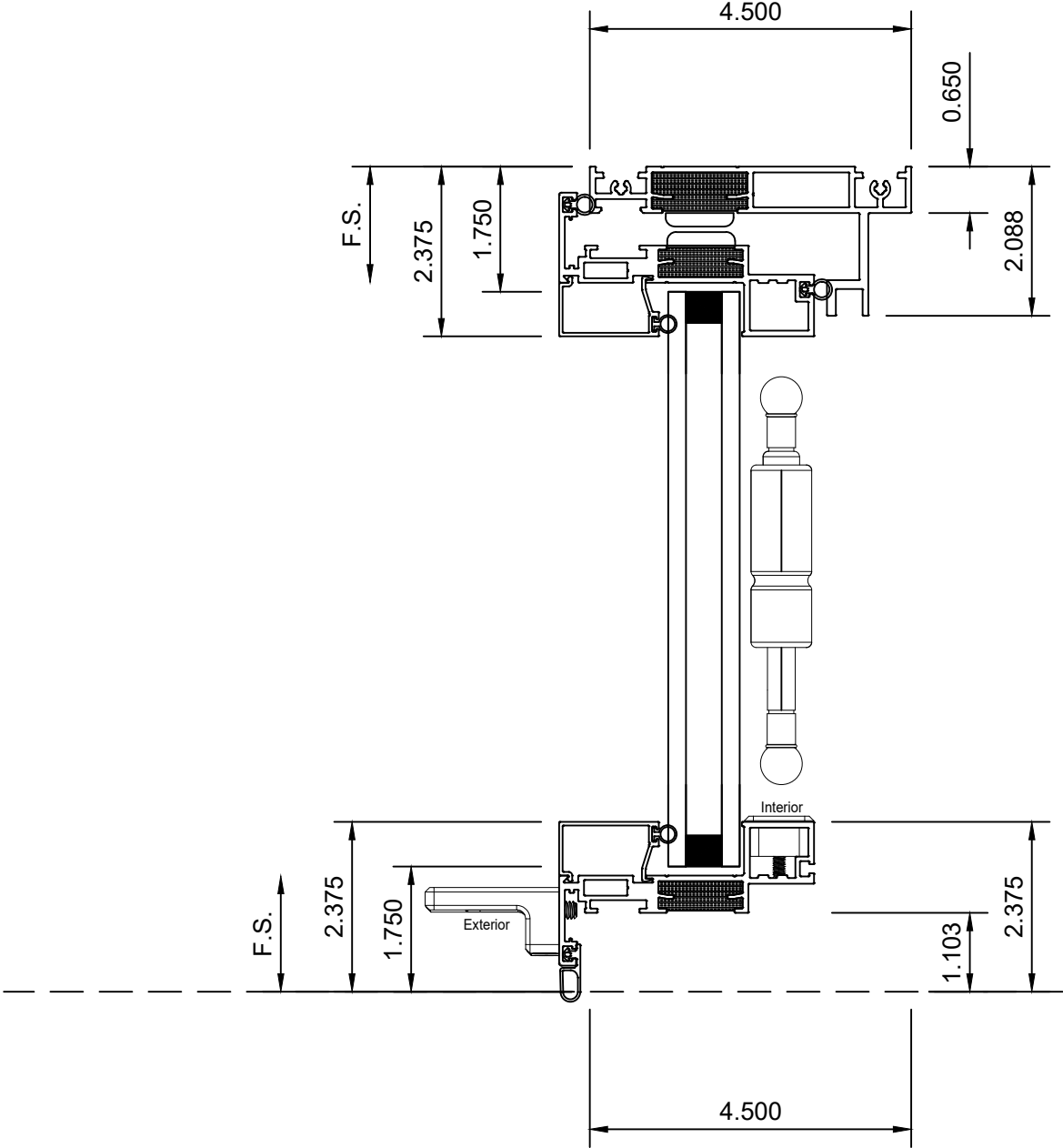


Standalone - with Threshold

VANTAGE SERIES 8665 PASS-THROUGH AWNING WINDOW



For more CAD details scan here



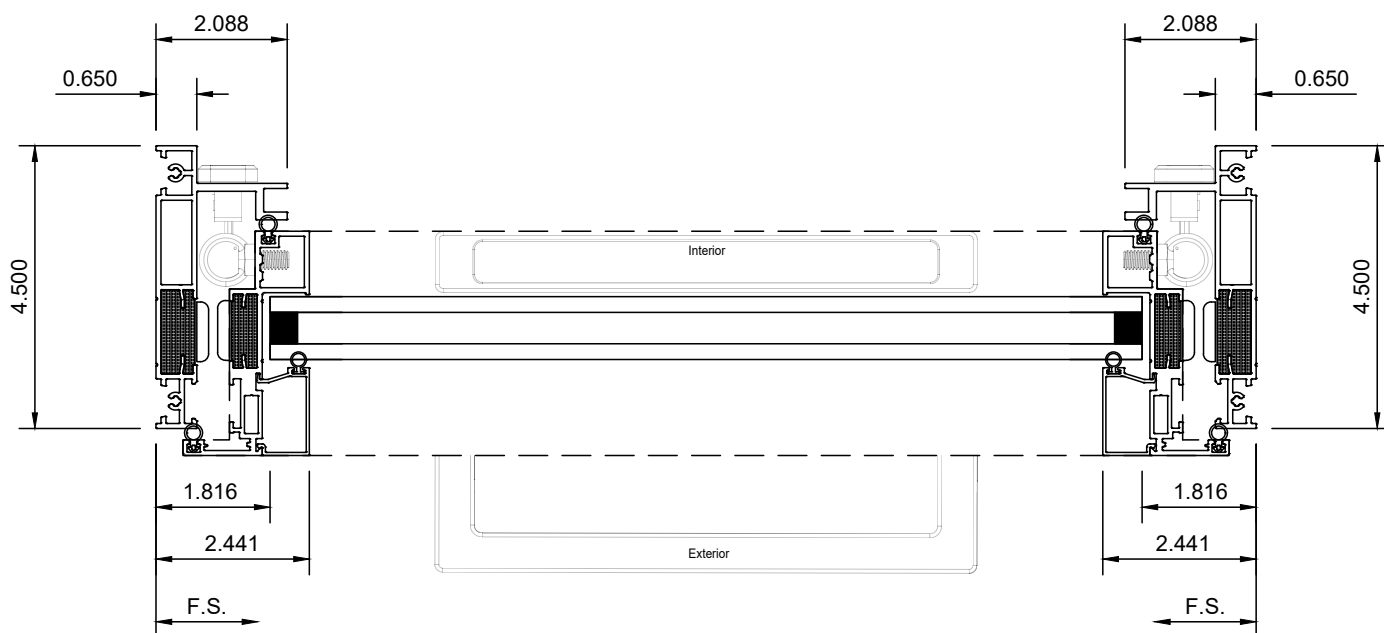
Standalone - no Threshold

VANTAGE SERIES 8665

PASS-THROUGH AWNING WINDOW



For more CAD
details scan here



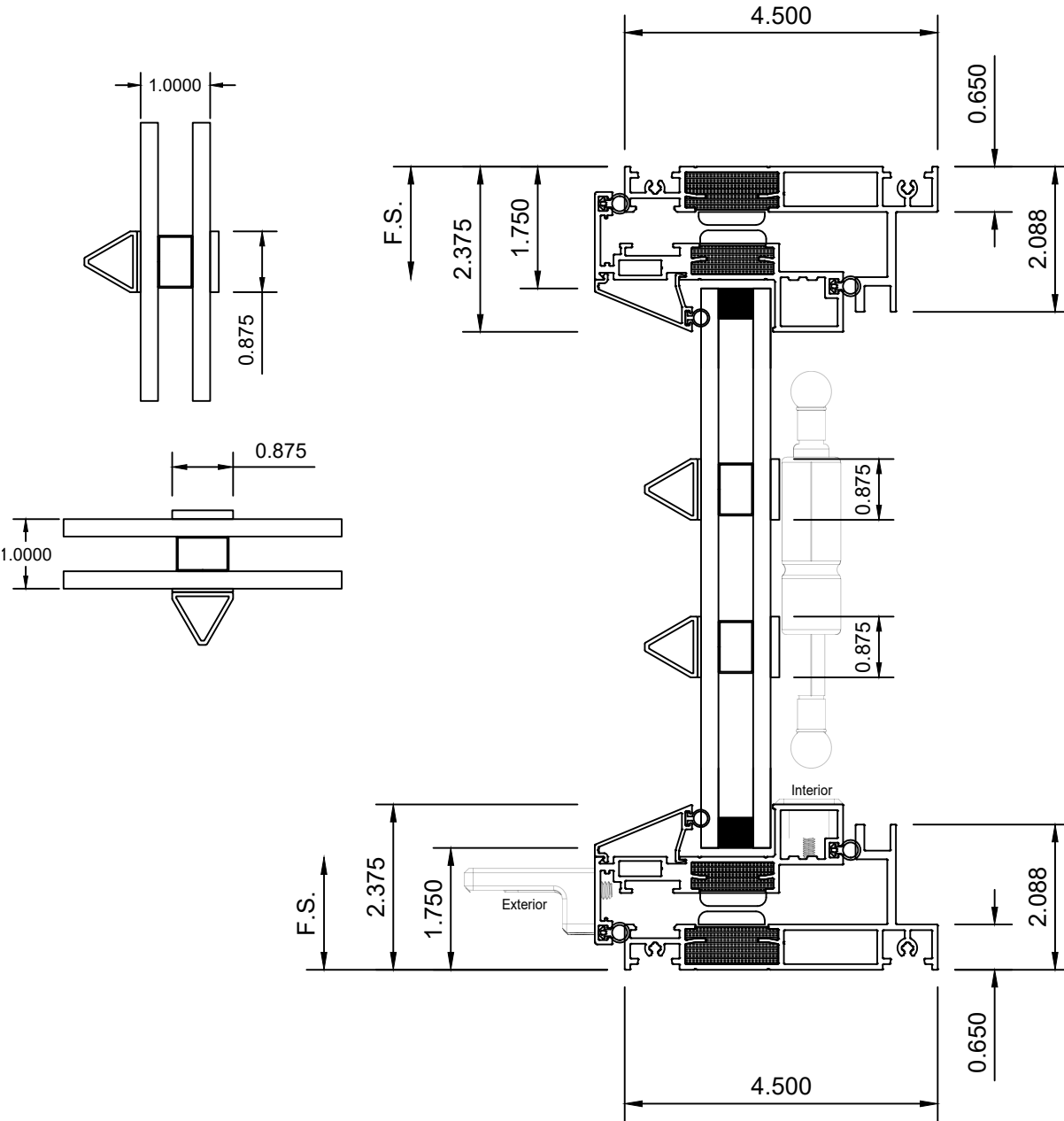
Standalone

VANTAGE SERIES 8665

PASS-THROUGH AWNING WINDOW



For more CAD details scan here

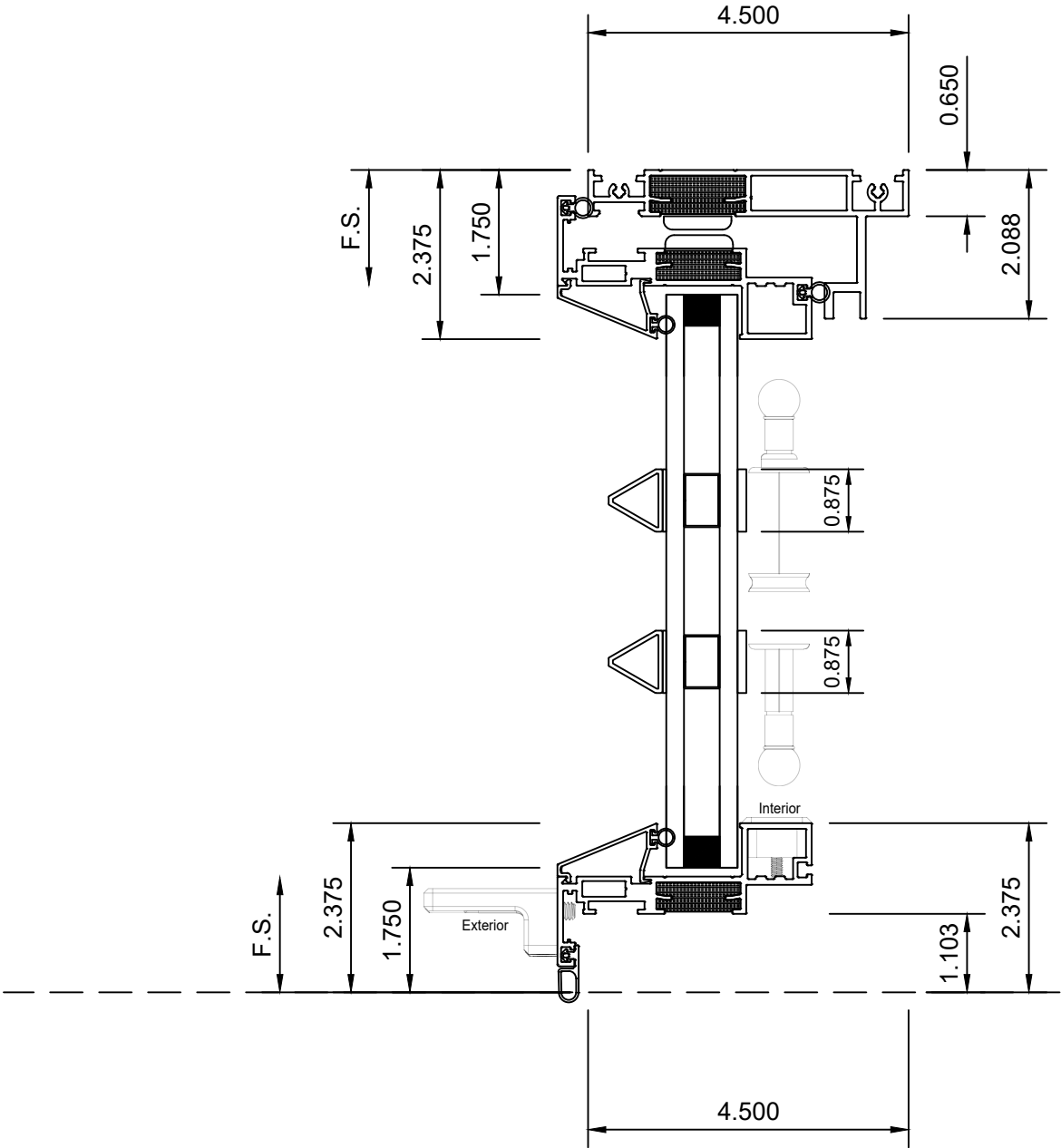


Beveled Grids - with Threshold

VANTAGE SERIES 8665 PASS-THROUGH AWNING WINDOW



For more CAD details scan here



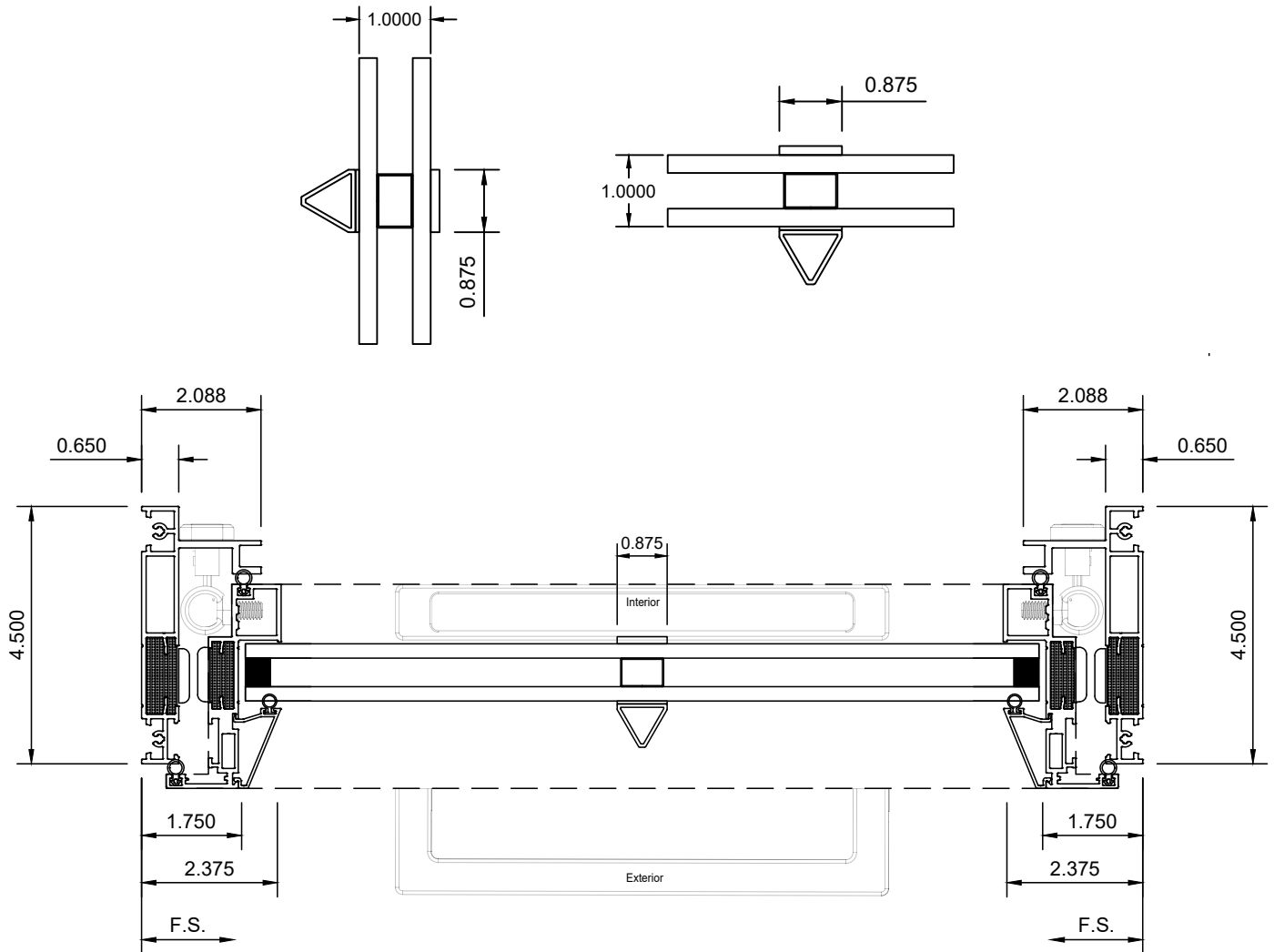
Beveled Grids - no Threshold

VANTAGE SERIES 8665

PASS-THROUGH AWNING WINDOW



For more CAD
details scan here



Beveled Grids