

VANTAGE SERIES 8630 FIXED/WINDOW WALL



The Series 8630 Fixed Window/Window Wall features narrow sightlines and a slim 1.4" thermally broken aluminum frame, offering seamless indoor-outdoor integration with unobstructed views and energy efficiency. Available in panel sizes up to 50sf, it has a 4.5" frame depth and pairs with Series 8000 operable windows. Designed for a sleek, contemporary look and certified performance by NFRC and AAMA.

Energy Efficiency

Achieve a U-factor as low as .24 for dual-paned low-E argon filled glass, with interior surface low-E. Glass can be customized in a variety of coatings, tints, and thicknesses for improved privacy, protection, and thermal efficiency. The thermally broken aluminum frame provides an insulating barrier that increases energy performance.

Finishes

Finishes are available in-stock or as designer selections, and they can be customized to match nearly any color. Bronze Anodized and Satin Anodized come standard with a Class 1 coating thickness for increased smoothness and durability. Our designer colors include a high-quality paint finish that conforms to a minimum rating of AAMA-2605, currently the highest rating for organic finishes.

Performance Table

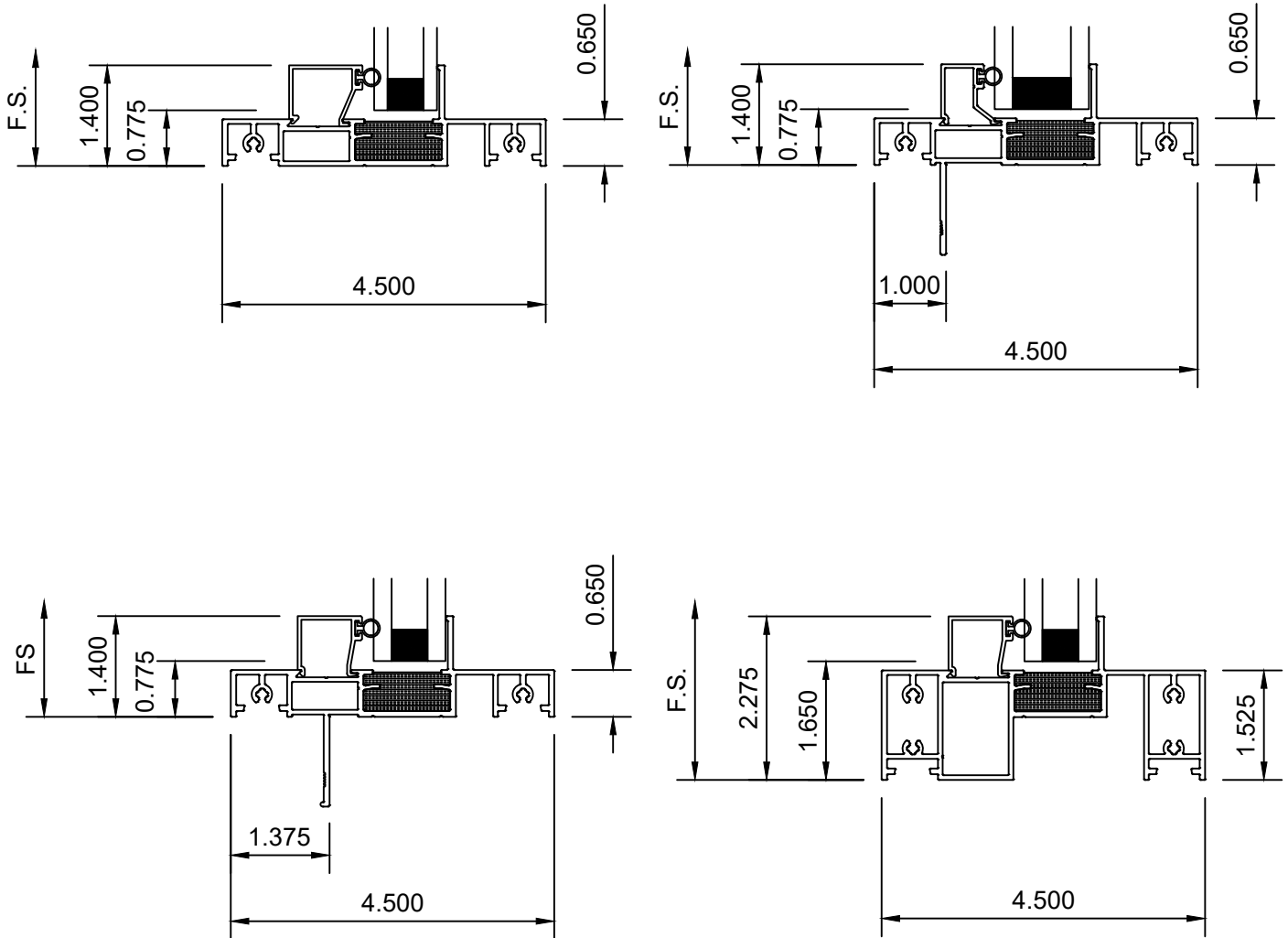
Frame Depth	4.5"
AAMA Product Designation (AAMA/WDMA/CSA101/I.S.2/A440 Designation)	AW90
Test Configuration	FX/O
Air Infiltration (Per ASTM E 283)	.001
Water Resistance (Per ASTM E 547)	15 psf
Uniform Load Deflection (Per ASTM E 330)	.12" Max deflection
U-Factor (Per NFRC 102)	.28 LoE3-366 with Argon / .24 LoE3-366/ LoE-i89 with Argon

*Actual values may vary depending on product specifications and configuration.
* Glass Makeup = 1" OA E366/Argon/Clear*

VANTAGE SERIES 8630 FIXED/WINDOW WALL



For more CAD
details scan here

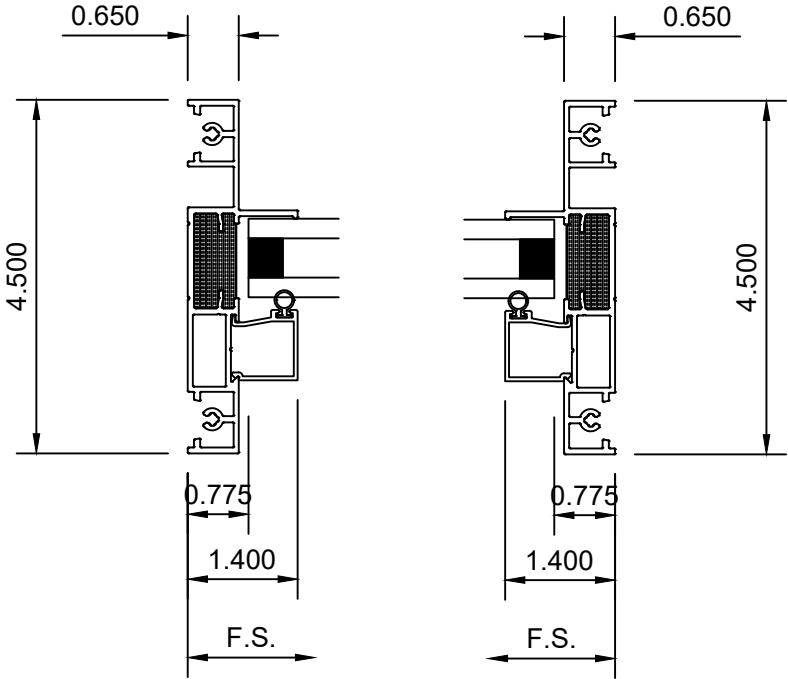


Standalone Unit

VANTAGE
SERIES 8630
FIXED/WINDOW WALL



For more CAD
details scan here

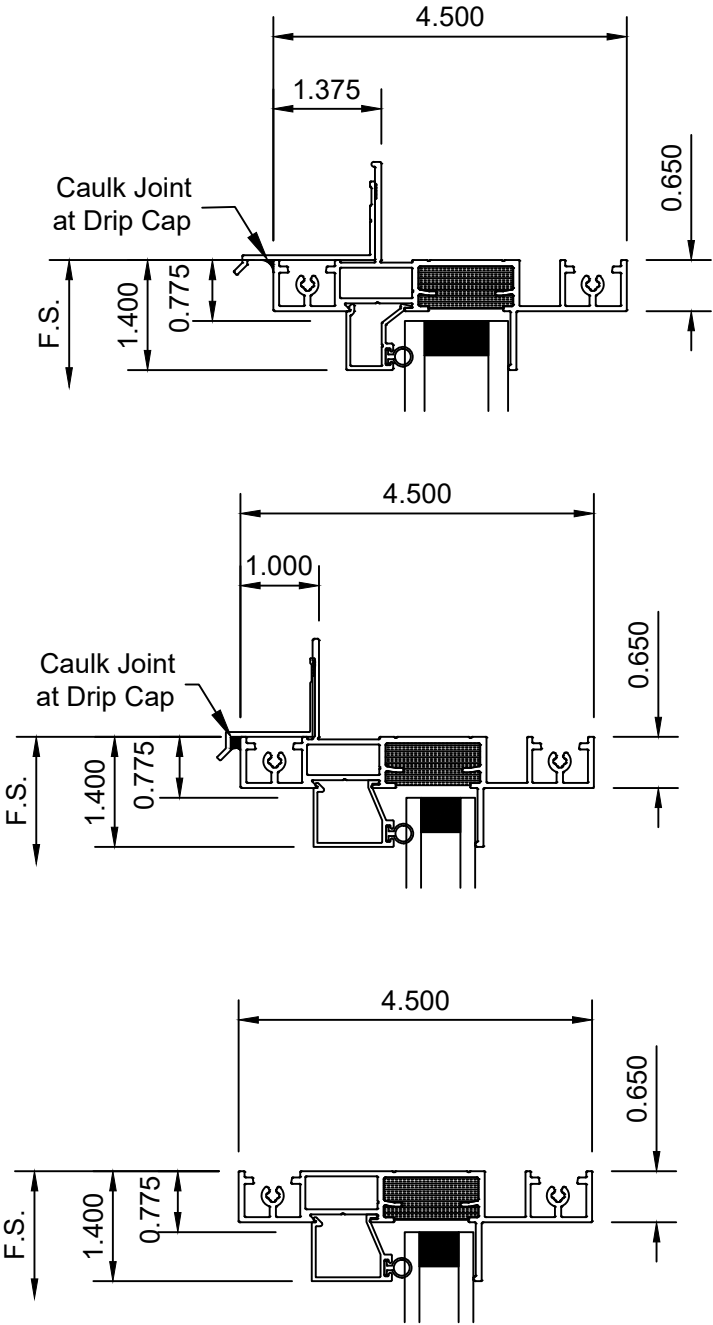


Standalone Unit

VANTAGE SERIES 8630 FIXED/WINDOW WALL



For more CAD details scan here

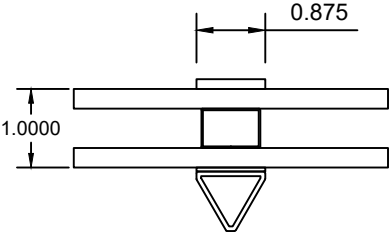
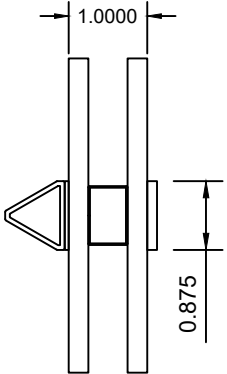
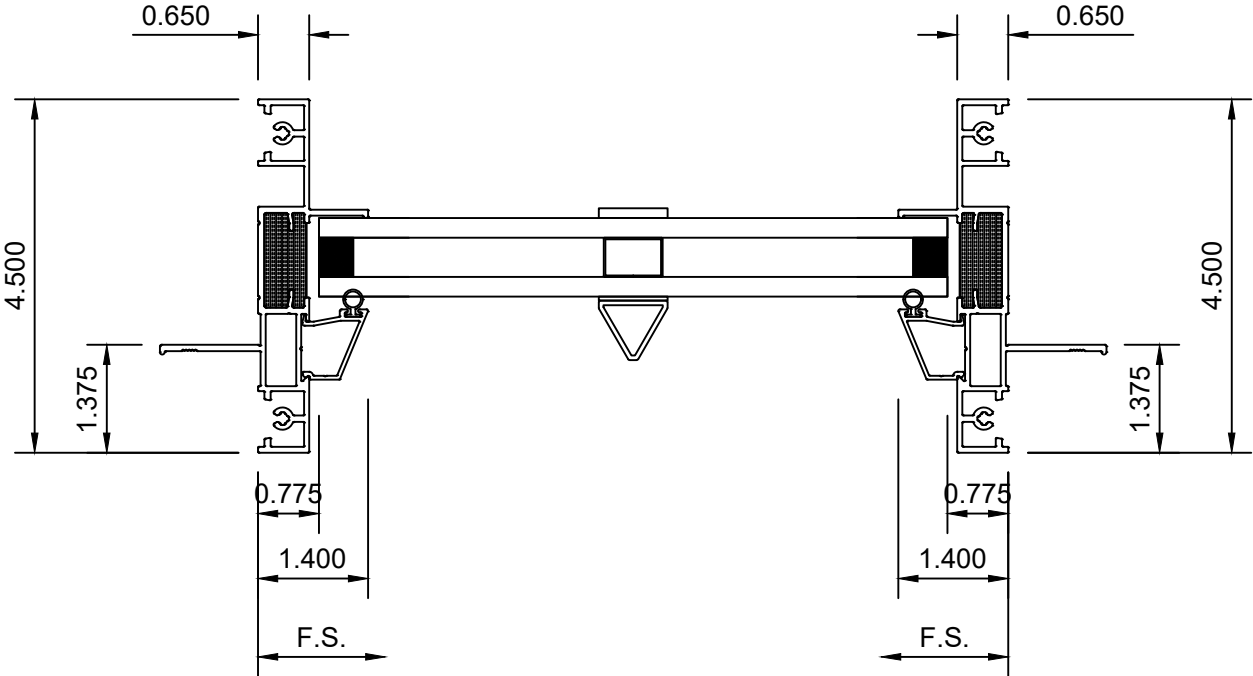


Standalone Unit

VANTAGE
SERIES 8630
FIXED/WINDOW WALL



For more CAD
details scan here

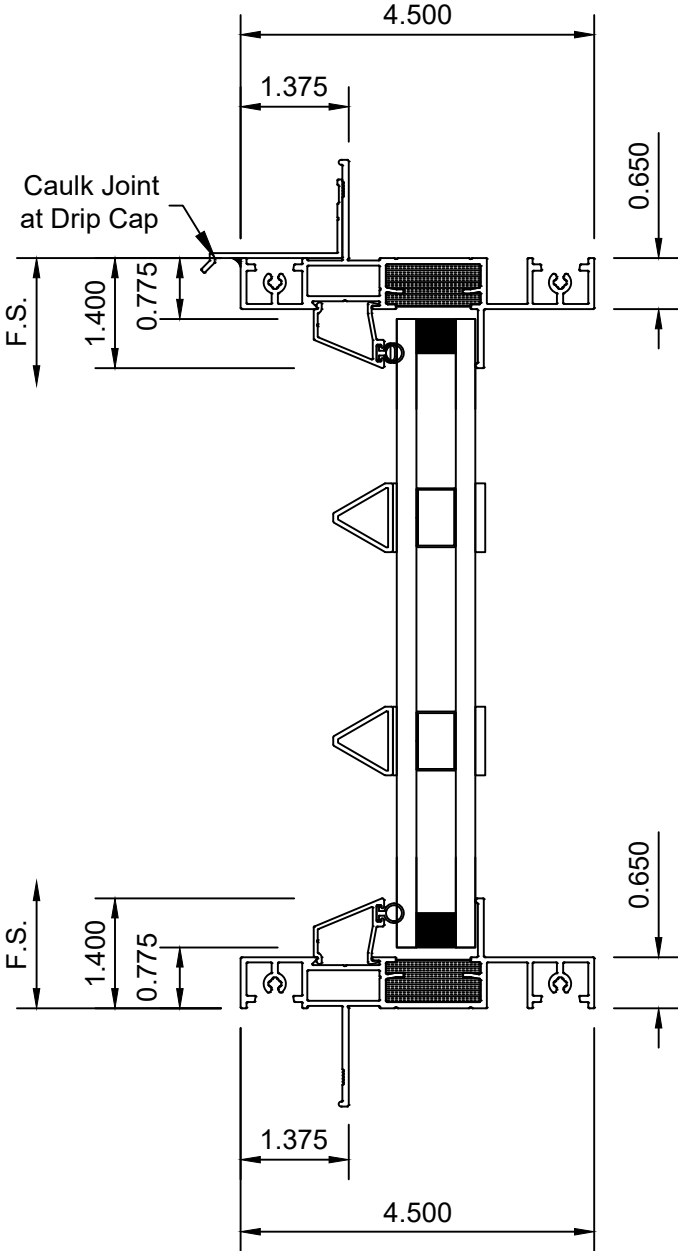


Beveled Grids

VANTAGE
SERIES 8630
FIXED/WINDOW WALL



For more CAD details scan here

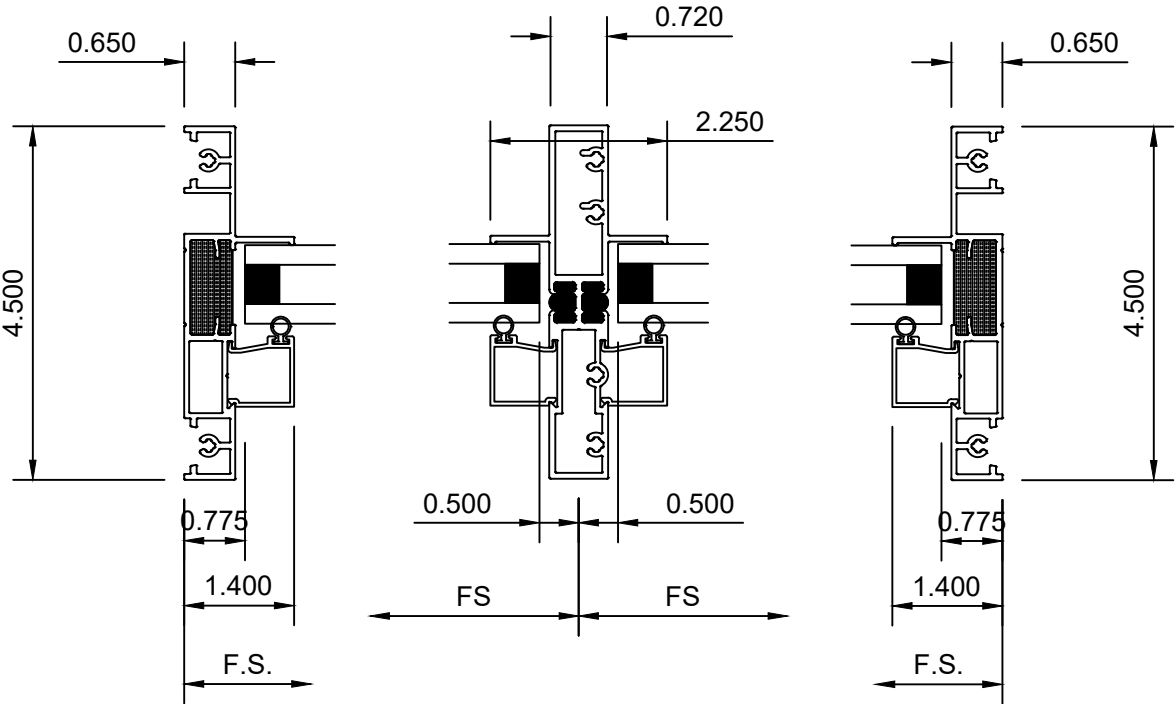


Beveled Grids

VANTAGE
SERIES 8630
FIXED/WINDOW WALL



For more CAD
details scan here

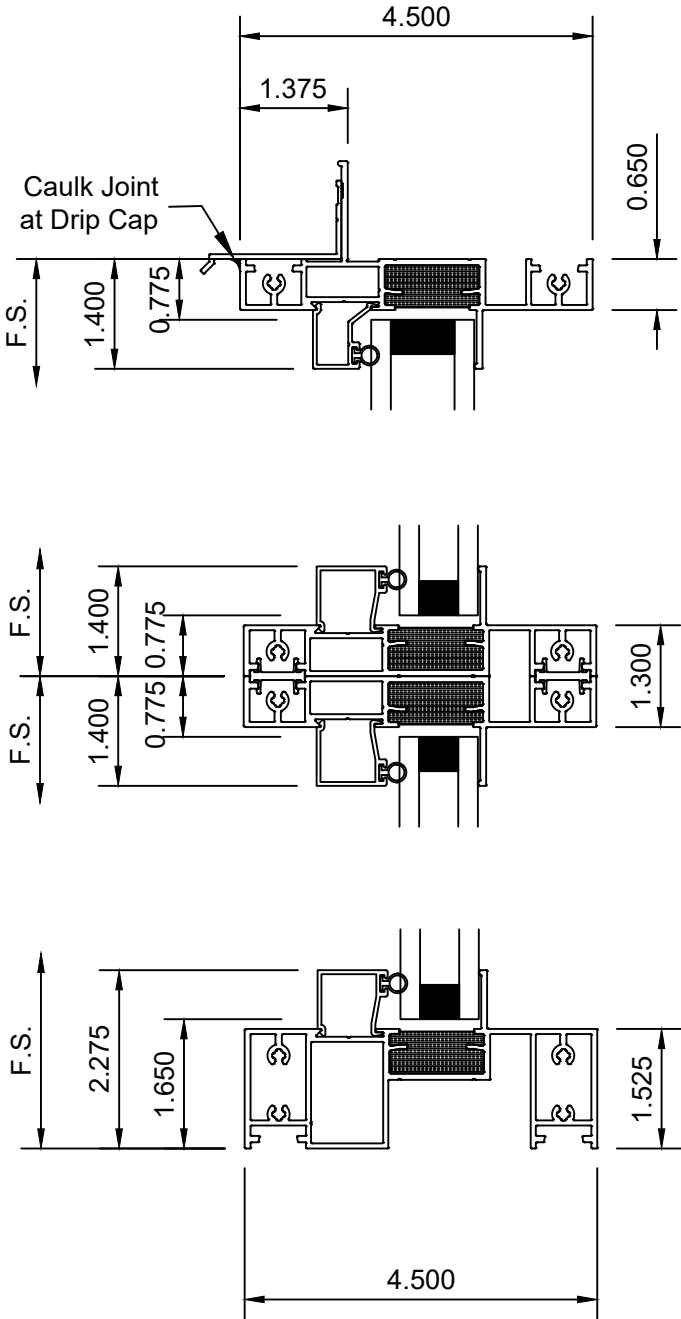


T-Bar Unit

VANTAGE
 SERIES 8630
FIXED/WINDOW WALL



For more CAD details scan here

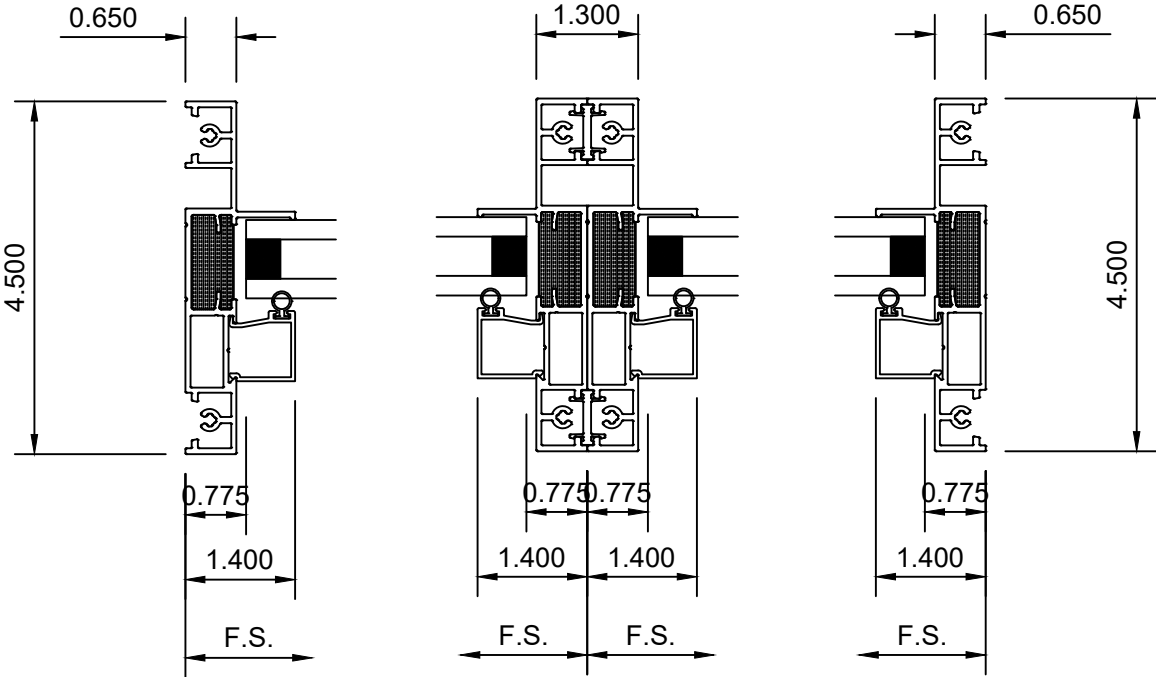


Mulled Unit

VANTAGE
SERIES 8630
FIXED/WINDOW WALL



For more CAD
details scan here



Mulled Unit