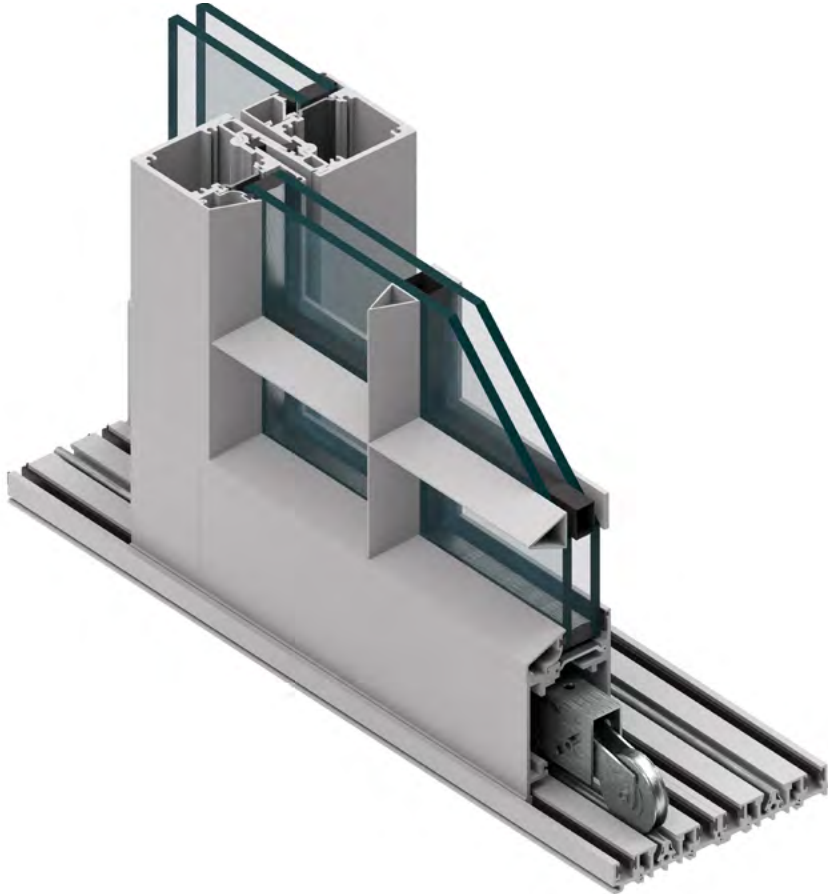


SIMULATED STEEL SERIES 7600s MULTI-SLIDE DOOR



The Series 7600s Multi-Slide Door features large, unobstructed rolling glass panels that stack or slide into pockets to create extra-wide openings for indoor-outdoor commercial and living spaces. Narrow sightlines, beveled glass stops, and coped muntin bars replicate the profiles of steel putty glazed windows used in historic buildings, universities, and commercial projects. The thermally broken aluminum frames feature high-quality anodized or painted finishes. The door can be easily integrated with simulated steel windows to form a consistent aesthetic throughout your project.

Energy Efficiency

A .31 U-factor for standard low-E, argon-filled dual-pane glass from Cardinal IG gives the door premium energy efficiency.

Hardware

Our AAMA-certified, sealed stainless steel ball bearing rollers come in a standard 1.81" size, with optional Quad-Zilla rollers for larger, heavier panels.

Lock

A concealed stainless steel multi-point lock ensures panel security.

Finishes

Bronze Anodized and Satin Anodized come standard with a Class 1 coating thickness for increased smoothness and durability. Our designer colors include a high-quality paint finish that conforms to a minimum rating of AAMA-2605, currently the highest rating for organic finishes.

Performance Table

Frame Depth	2.87" Per Track
AAMA Product Designation (AAMA/WDMA/CSA101/I.S.2/A440 Designation)	LC-PG50-144x120-SD
Test Configuration	144" x 120" XXO
Air Infiltration (Per ASTM E 283)	24 cfm/sf @1.57 psf
CSA A440 Air	A2
Water Resistance (Per ASTM E 547)	8.0 psf
Uniform Load Deflection (Per ASTM E 330)	50 psf
Uniform Load Structural (Per ASTM E 330)	75 psf
Forced Entry Resistance	ASTM F842 Type B Grade 10
U-Factor (Per NFRC 100)*	0.31
CR (Per NFRC 500)*	59

*Actual values may vary depending on product specifications and configuration.
* Glass Makeup = 1" OA E366/Argon/Clear*

PERFORMANCE SERIES 7600 MULTI-SLIDE DOOR



For more CAD
details scan here

