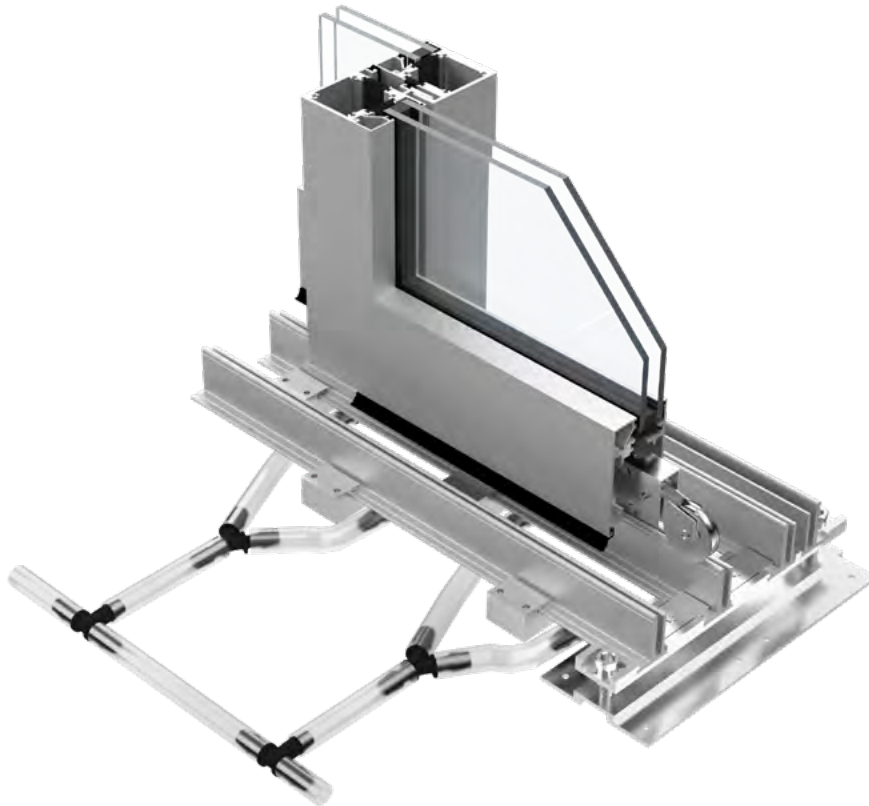


PERFORMANCE SERIES 7600 MULTI-SLIDE DOOR WITH WATER MANAGEMENT SILL



The Series 7600 Multi-Slide Door with Water Management Sill features large, unobstructed rolling glass panels that stack flush to create extra-wide openings with seamless flooring transitions to connect indoor-outdoor commercial and living spaces. And even with extreme panel sizes, it is easy to operate, thanks to high-performance sealed bearing polymer rollers. The aluminum frame's clean lines, narrow profile, and high-quality anodized or painted finishes deliver a contemporary aesthetic that seamlessly blends into nearly any space, while managing water penetration through an innovative hidden subfloor drain system.

Energy Efficiency

A .32 U-factor for standard low-E, argon-filled dual-pane glass from Cardinal IG gives the door premium energy efficiency.

Hardware

Sealed bearing polymer rollers, flush-mounted handle, contemporary handle, optional keyed lock.

Lock

Hidden stainless steel multi-point lock ensures reliability.

Finishes

Bronze Anodized and Satin Anodized come standard with a Class 1 coating thickness for increased smoothness and durability. Our designer colors include a high-quality paint finish that conforms to a minimum rating of AAMA-2605, currently the highest rating for organic finishes.

Performance Table

Frame Depth	2.87" Per Track
AAMA Product Designation (AAMA/WDMA/CSA101/I.S.2/A440 Designation)	CW-PG50 - 108" x 84"- SD
Test Configuration	108" x 84" XXO
Air Infiltration (Per ASTM E 283)	0.06 cfm/sf @ 1.57 psf
Water Resistance (Per ASTM E 547)	9.0 psf
Uniform Load Deflection (Per ASTM E 330)	50 psf
Uniform Load Structural (Per ASTM E 330)	75 psf
Forced Entry Resistance	ASTM F842 Type B Grade 10
U-Factor (Per NFRC 100)*	0.32
CR (Per NFRC 500)*	57

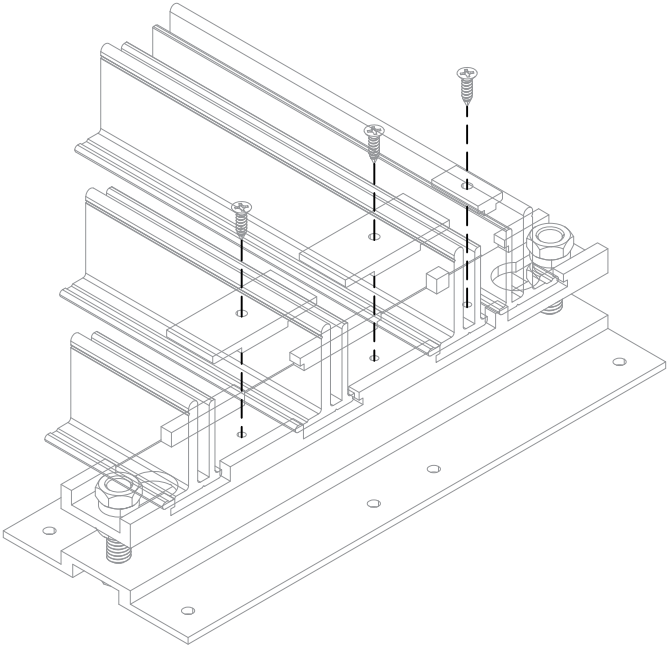
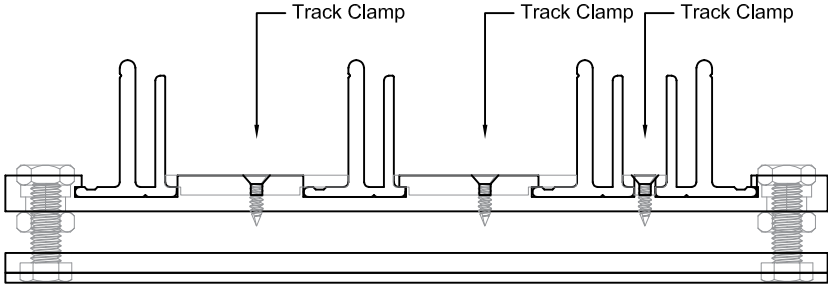
*Actual values may vary depending on product specifications and configuration.
* Glass Makeup = 1" OA E366/Argon/Clear*

PERFORMANCE SERIES 7600 MULTI-SLIDE DOOR WITH WATER MANAGEMENT SILL



Click or scan for
CAD details

- Threshold Condition at Track Clamps

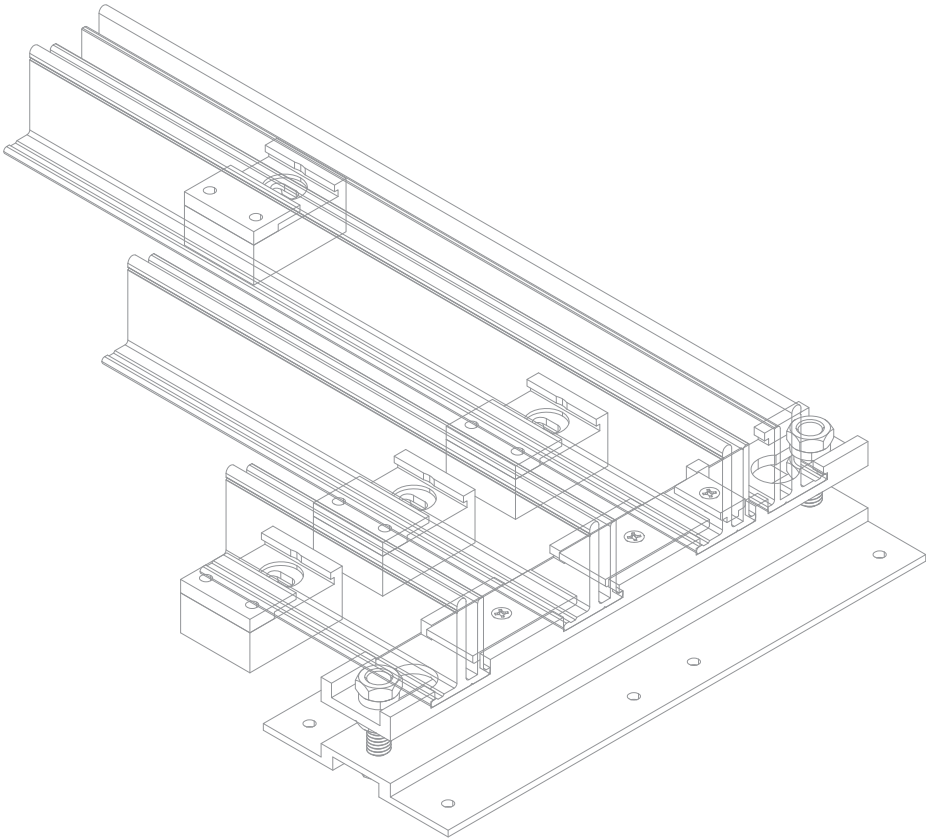
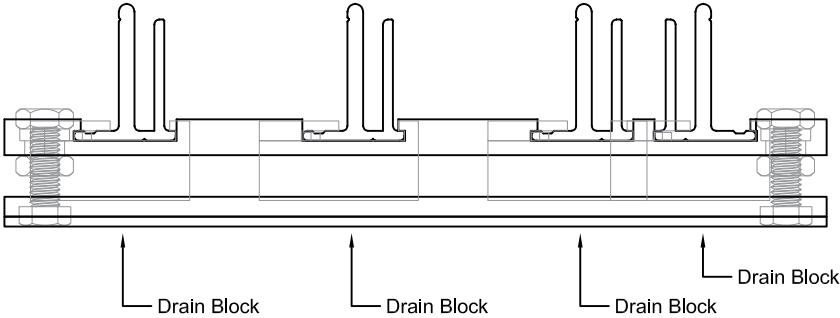


PERFORMANCE SERIES 7600 MULTI-SLIDE DOOR WITH WATER MANAGEMENT SILL



Click or scan for
CAD details

- Threshold Condition at Drain Block

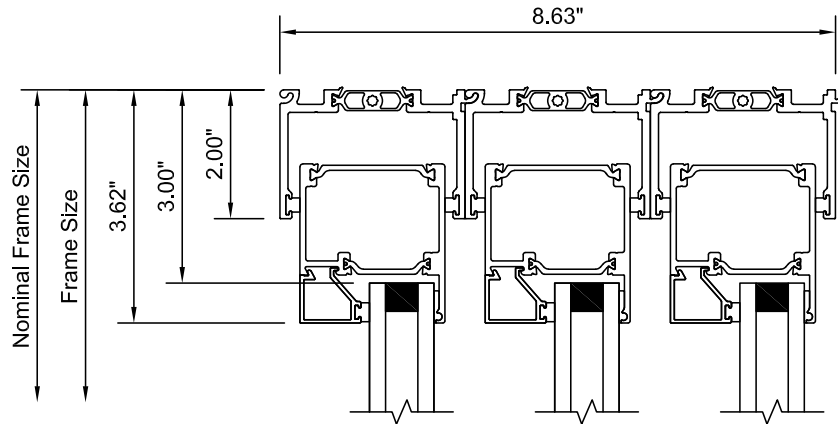


PERFORMANCE SERIES 7600 MULTI-SLIDE DOOR WITH WATER MANAGEMENT SILL

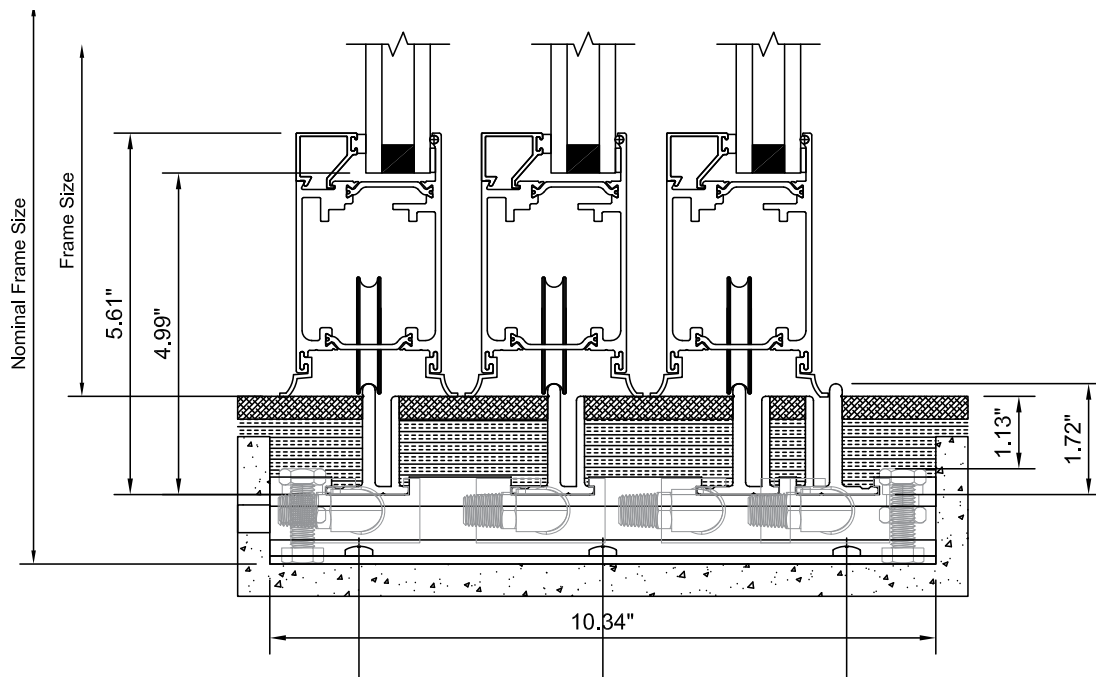


Click or scan for
CAD details

■ Head Condition



■ Threshold Condition

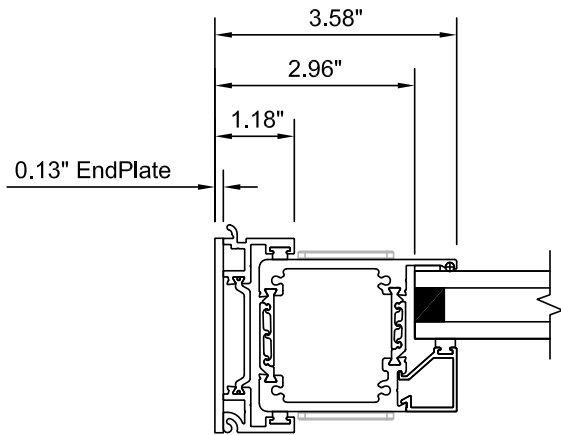


PERFORMANCE SERIES 7600 MULTI-SLIDE DOOR WITH WATER MANAGEMENT SILL

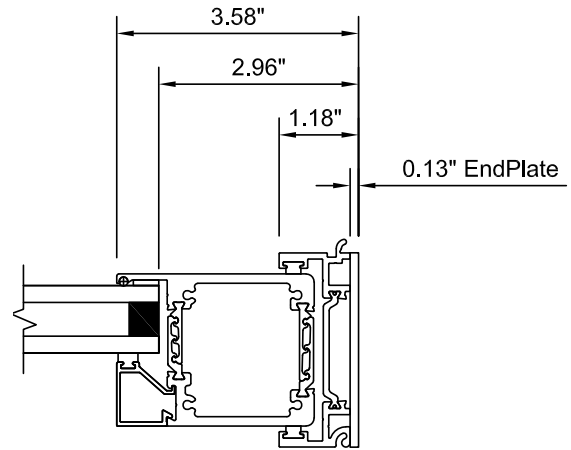


Click or scan for
CAD details

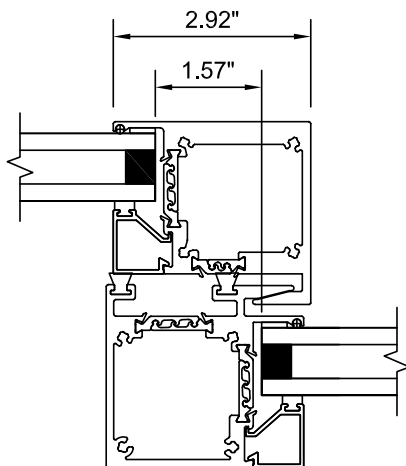
Left Jamb Condition



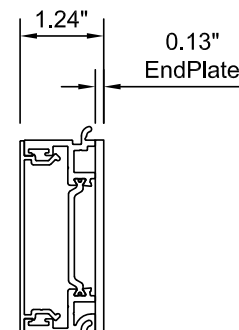
Right Jamb Condition



Interlocking Condition



Full Jamb Condition TYP

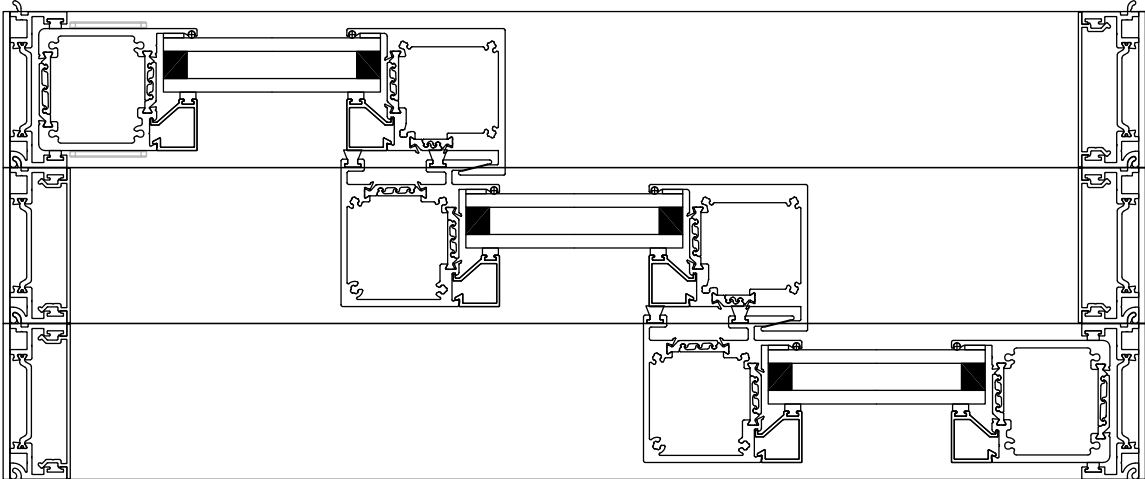


PERFORMANCE SERIES 7600 MULTI-SLIDE DOOR WITH WATER MANAGEMENT SILL



Click or scan for
CAD details

- Horizontal Section of 3-Panel Stacking Door or 2XO

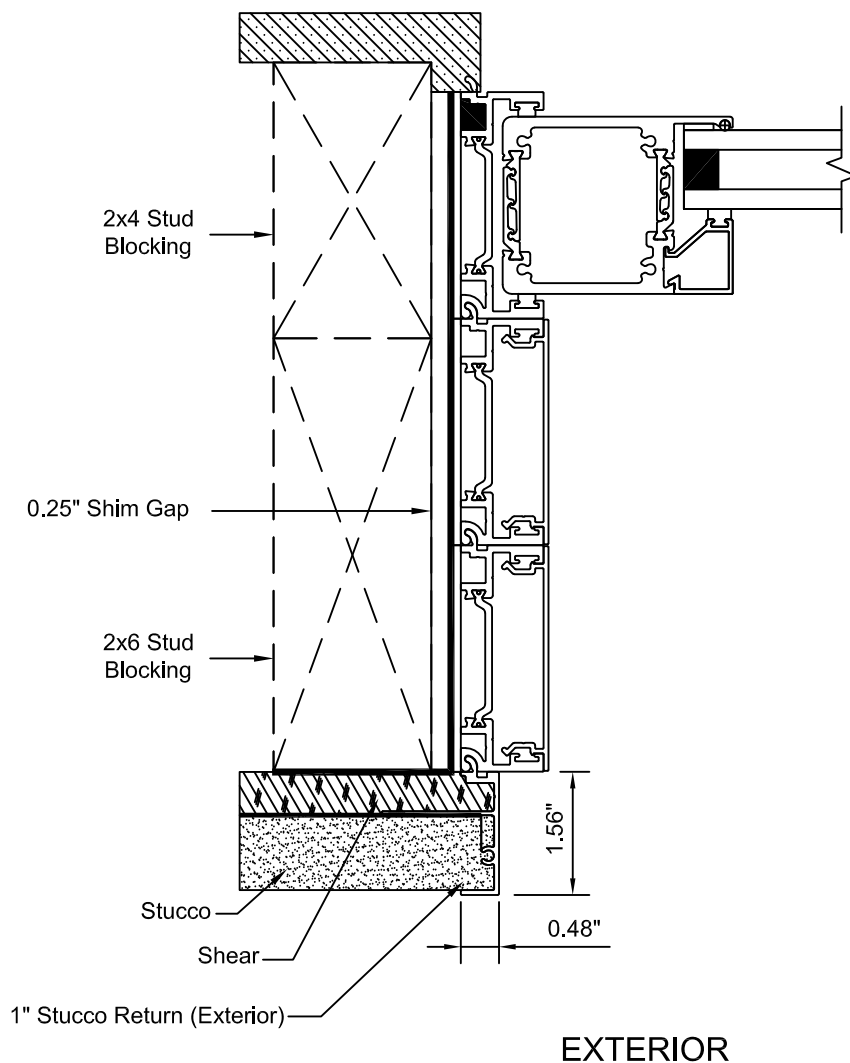


PERFORMANCE SERIES 7600 MULTI-SLIDE DOOR WITH WATER MANAGEMENT SILL



Click or scan for
CAD details

- 1" Stucco Return Wall Construction Profile at Stud Multi-Slide Door Jamb Application



PERFORMANCE SERIES 7600 MULTI-SLIDE DOOR WITH WATER MANAGEMENT SILL



Click or scan for
CAD details

- 1.375" Stucco Return Wall Construction Profile at Stud Multi-Slide Door Jamb Application

