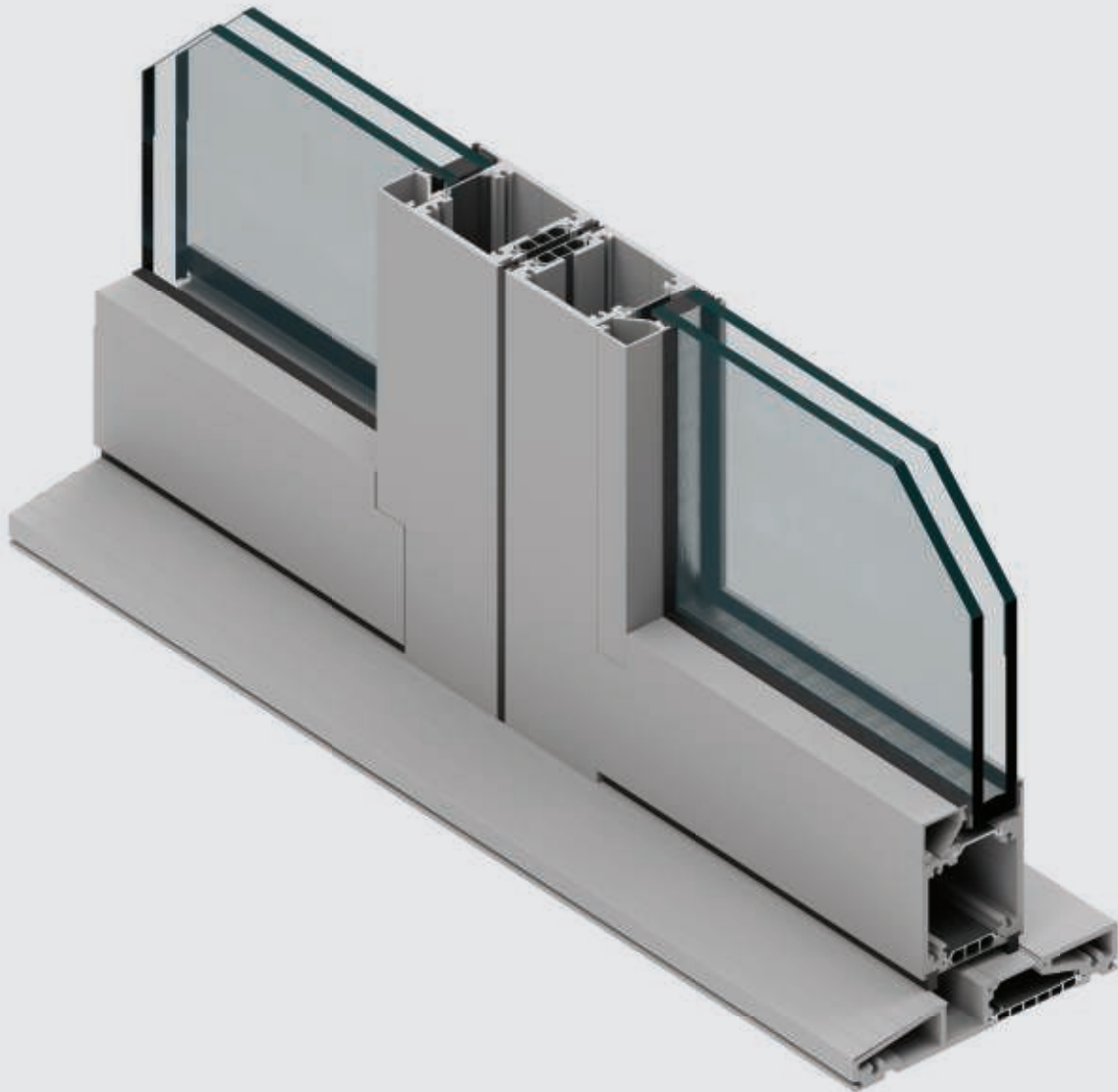


# Series 7950 Bi-Fold Door



## Build Better

**PERFORMANCE LINE:** Our Series 7000 family of moving glass walls and windows addresses energy and structural requirements while promoting contemporary design.

# Series 7950 Bi-Fold Door

The Series 7950 Bi-Fold Door features large glass panels that smoothly fold and stack against side walls, creating extra-wide openings for indoor-outdoor commercial and living spaces. Convenient interior or exterior folding configurations and optional swinging panels make access simple when you don't want to open the entire bi-fold system. Even with extreme panel sizes, it is easy to operate, thanks to sealed stainless steel ball bearing rollers. For strength against the elements, the door delivers a DP50 rating and is STC-rated for acoustic performance. The Series 7950 can be designed as a bi-fold window or door system in heights up to 12 feet in select configurations incorporating heavy-duty hardware.

## ENERGY EFFICIENCY

A .30 U-value for standard low-E, argon-filled dual-pane glass from Cardinal IG gives the door excellent energy efficiency. An aluminum extrusion utilizing Insulbar technology further improves energy performance. The door is compliant with California's rigorous Title 24 requirements and can be customized in a variety of panel counts and configurations. The aluminum frame and panels are thermally broken to reduce heat and cold transfer. NFRC labeling is included to comply with energy code requirements.

## HARDWARE

Stainless steel head load carriers and hinges are available in standard and heavy-duty capacities for extreme panel sizes and heavy glass types. A hidden stainless steel multi-point lock secures the folding panels.

## OPTIONS

Top-load floor tracks come standard with the 2"-tall water-barrier sill, which safeguards against water intrusion. At just 0.958" tall, the optional flush sill lines up with most interior flooring. An optional U-track allows for a flush transition from room to room. The door includes three high-quality handles: the Dallas handle, located on all active panels; a D-shaped pull handle, at the bi-fold's pivot points; and an inactive lock handle, at the door's pivot points, which secures the panels with steel pins at the head and sill. The Dallas handle has a keyed cylinder.

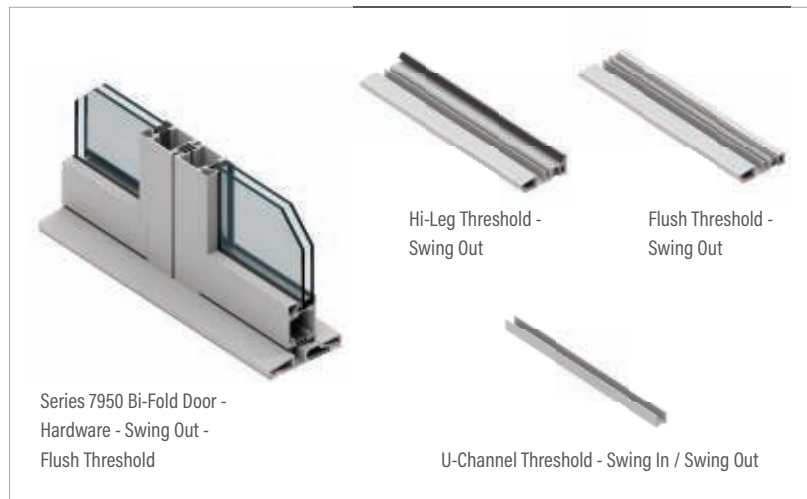
## FINISHES AND COLORS

Finishes are available in-stock or as designer selections, and they can be customized to match nearly any color. Split finishes are available in many combinations. Bronze Anodized and Satin Anodized come standard with a Class 1 coating thickness for increased smoothness and durability. Our designer colors include a high-quality paint finish that conforms to a minimum rating of AAMA-2605, currently the highest rating for organic finishes.

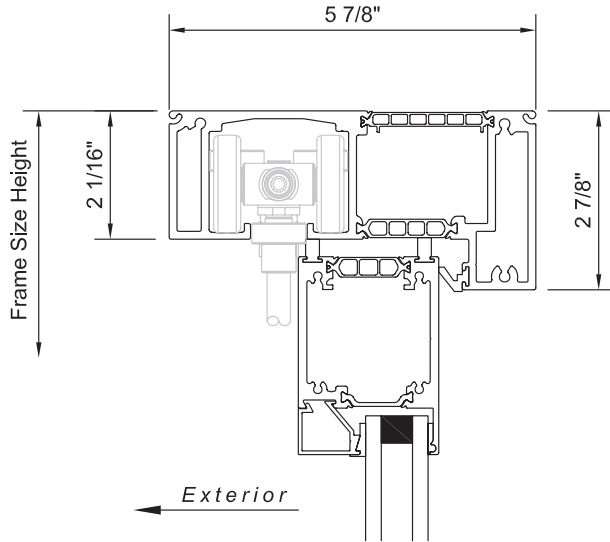
## PERFORMANCE

Frame Depth	5 7/8"
AAMA Product Designation (AAMA/WDMA/CSA101/I.S.2/A440 Designation)	PG50- 144x96-SP
Test Configuration	144" x 96" 1L3R E3 Swing Out
Air Infiltration (Per ASTM E 283)	.08 cfm/sf @1.57 psf
CSA A440 Air	A3
Water Resistance (Per ASTM E 547)	7.5 psf
Uniform Load Deflection (Per ASTM E 330)	50 psf
Uniform Load Structural (Per ASTM E 330)	75 psf
Forced Entry Resistance	ASTM F842 Type A, CAWM 300 Type I and AAMA 1304
U-Factor (Per NFRC 100)*	0.30
CR (Per NFRC 500)*	58
CRF Frame (Per AAMA 1503)	N/A

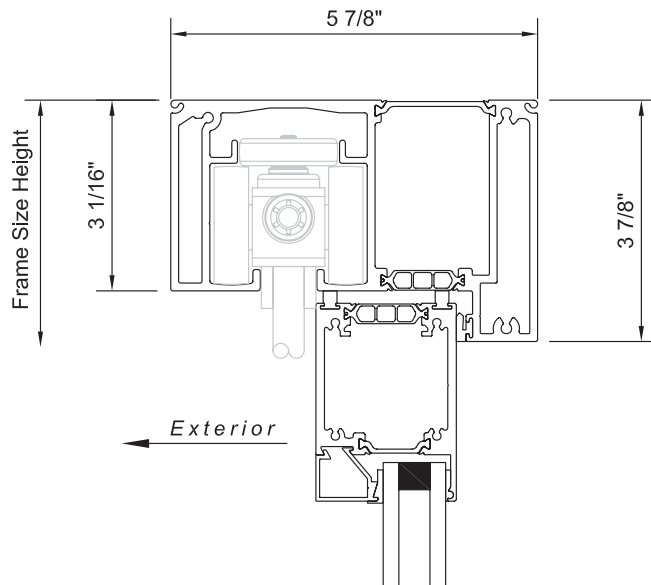
Actual values may vary depending on product specifications and configuration.  
\*Glass Makeup = 1" OA E366/Argon/Clear



# Series 7950 Bi-Fold Door

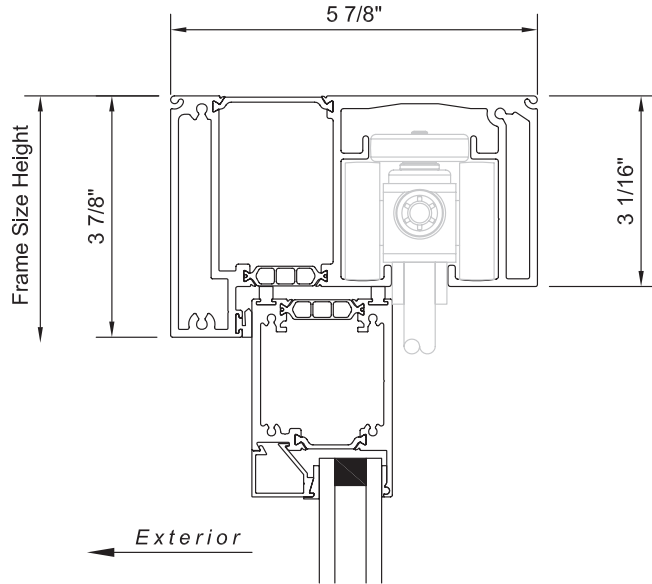


head load bi-fold  
fold-out head

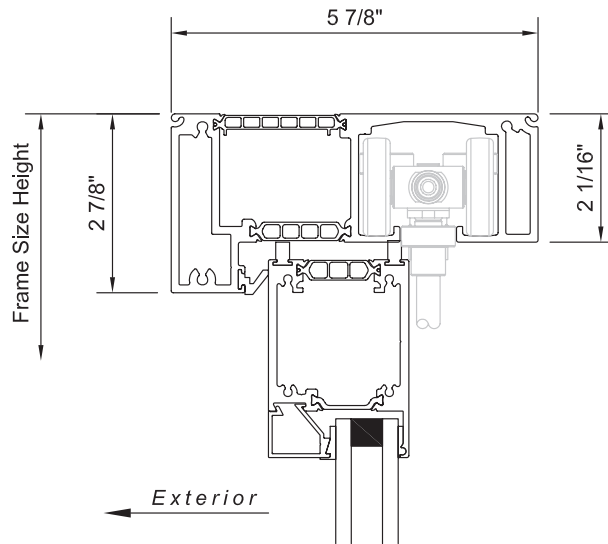


heavy-duty head load bi-fold  
fold-out head

# Series 7950 Bi-Fold Door

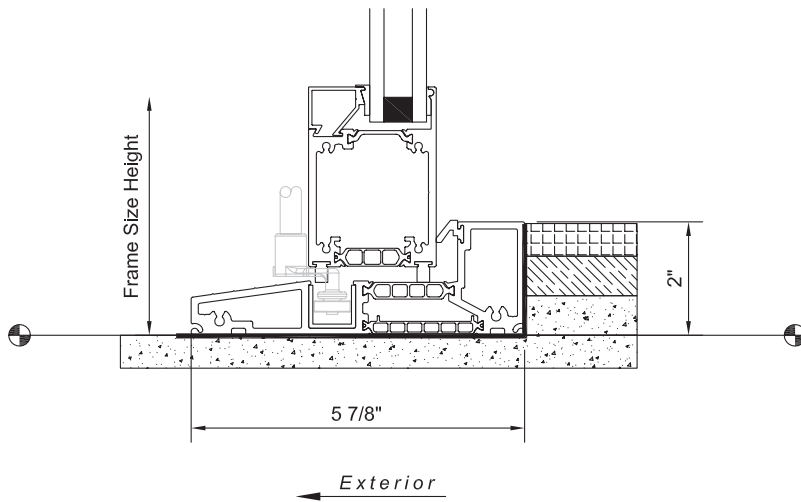


heavy-duty head load bi-fold  
fold-in head

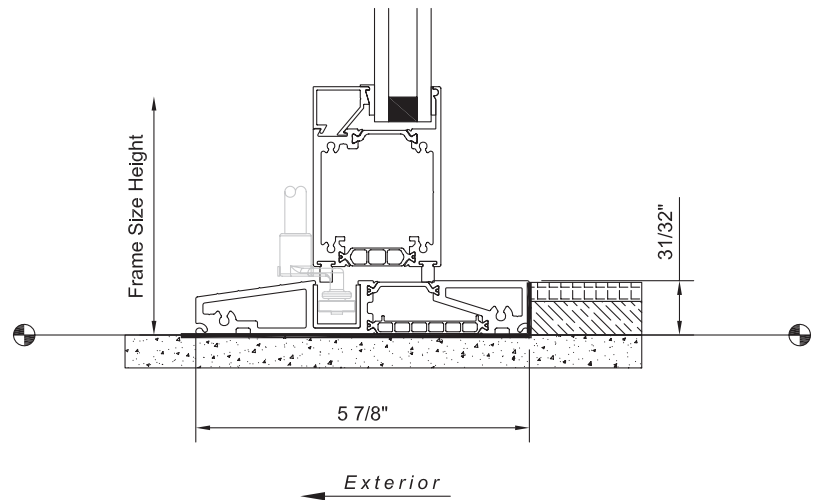


head load bi-fold  
fold-in head

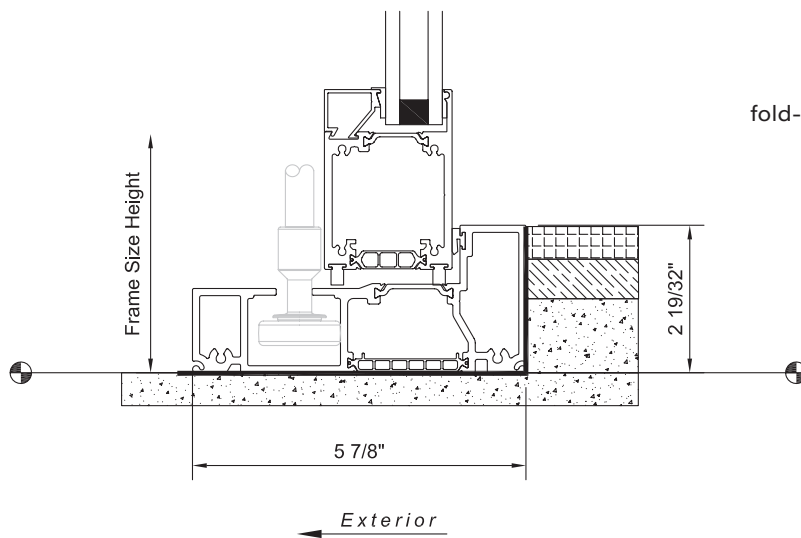
# Series 7950 Bi-Fold Door



head load bi-fold  
fold-out with high leg threshold

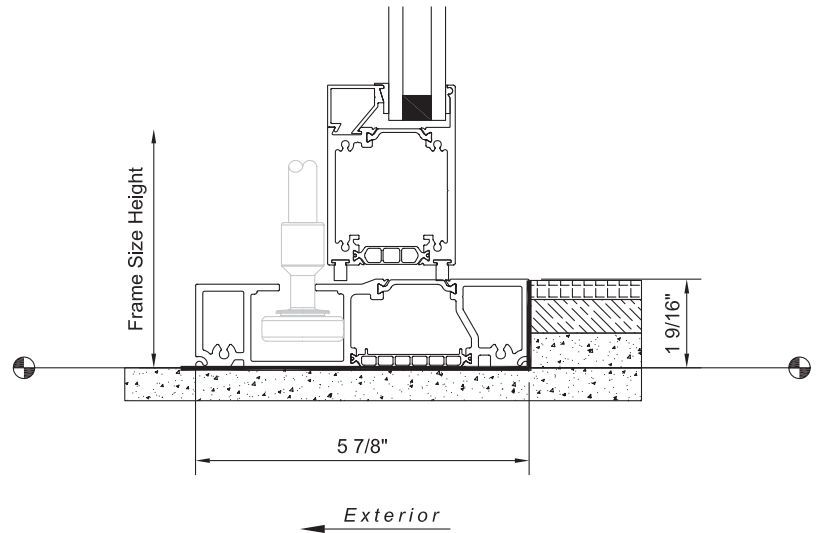


head load bi-fold  
fold-out with flush threshold

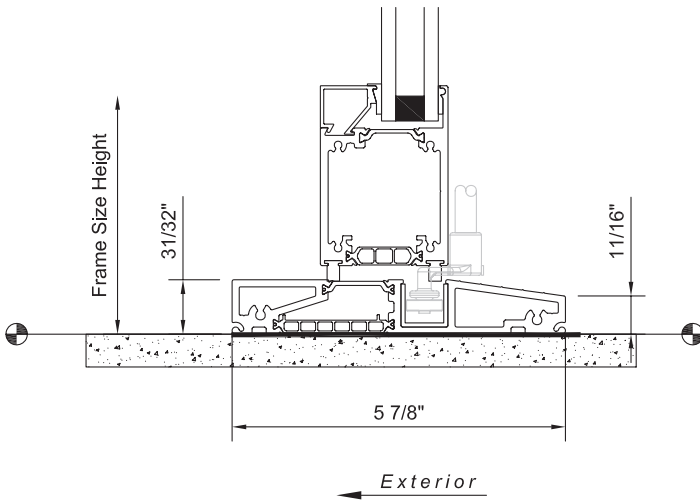


heavy-duty head load bi-fold  
fold-out with high leg threshold

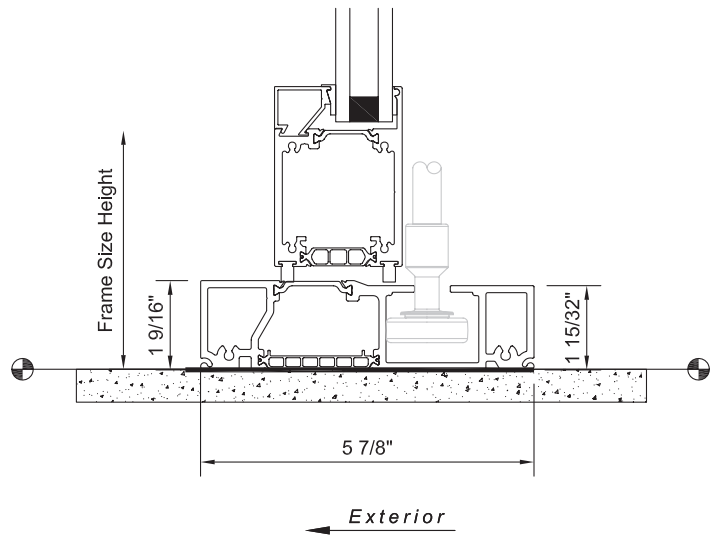
# Series 7950 Bi-Fold Door



heavy-duty head load bi-fold  
fold-out with flush threshold

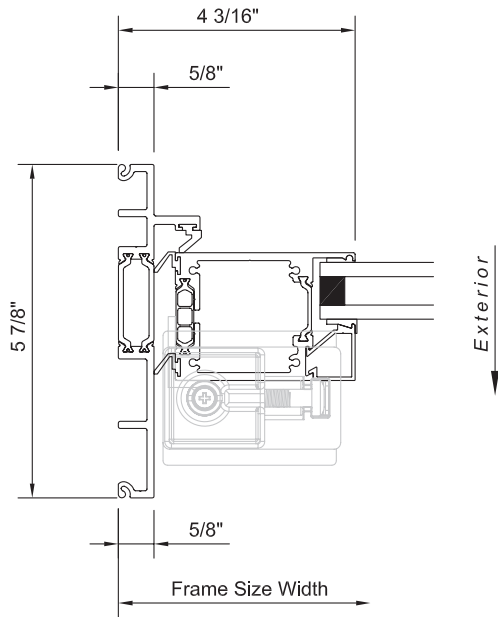


head load bi-fold  
fold-in with flush threshold

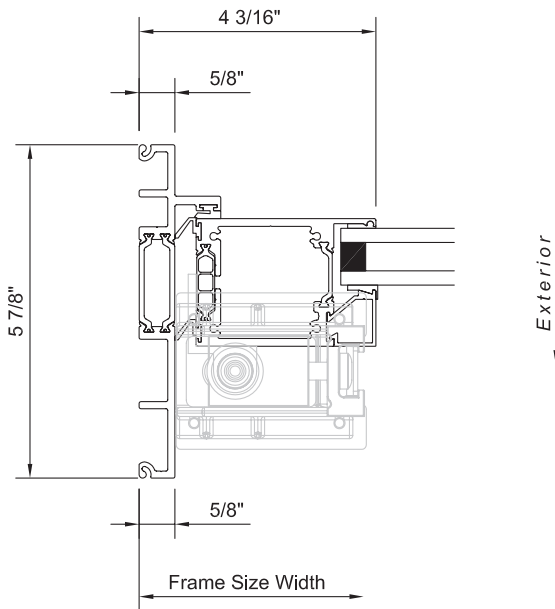


heavy-duty head load bi-fold  
fold-in with threshold

# Series 7950 Bi-Fold Door

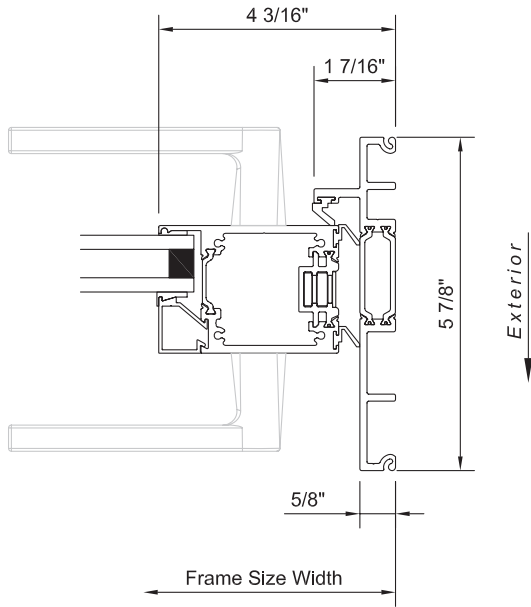


head load bi-fold  
fold-out jamb at pivot hinge

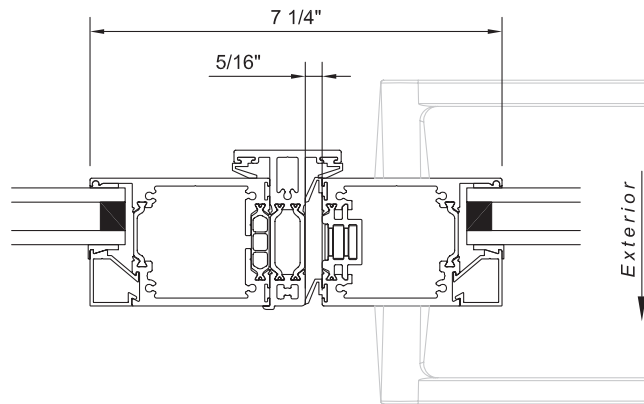


heavy duty head load bi-fold  
fold-out jamb at pivot hinge

# Series 7950 Bi-Fold Door



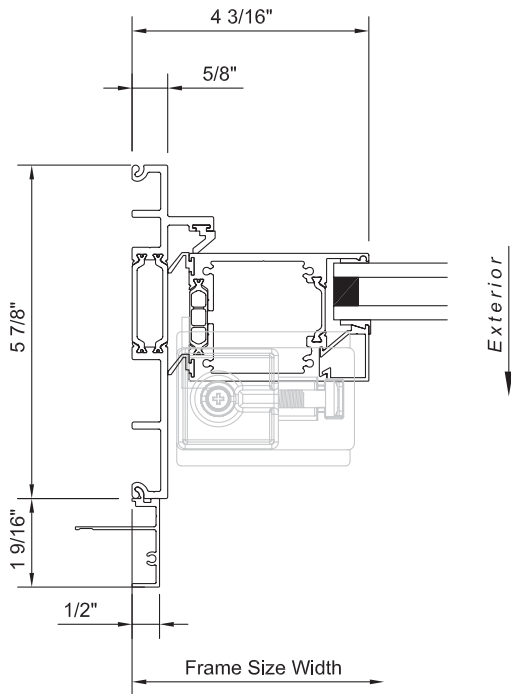
head load bi-fold  
fold-out jamb



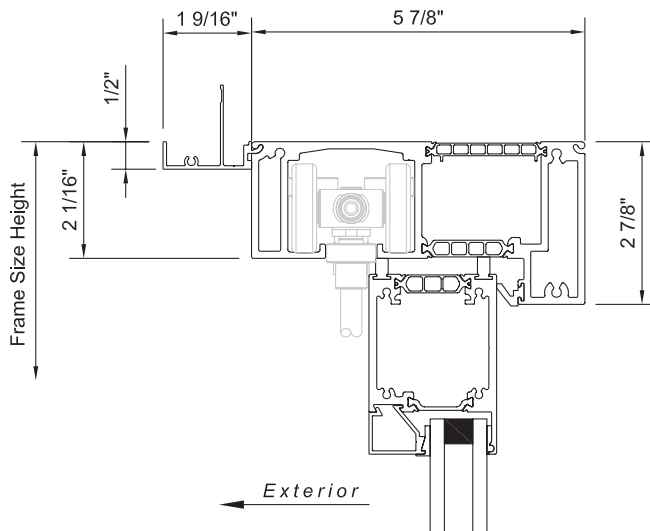
head load bi-fold  
fold-out bi-parting condition



# Series 7950 Bi-Fold Door

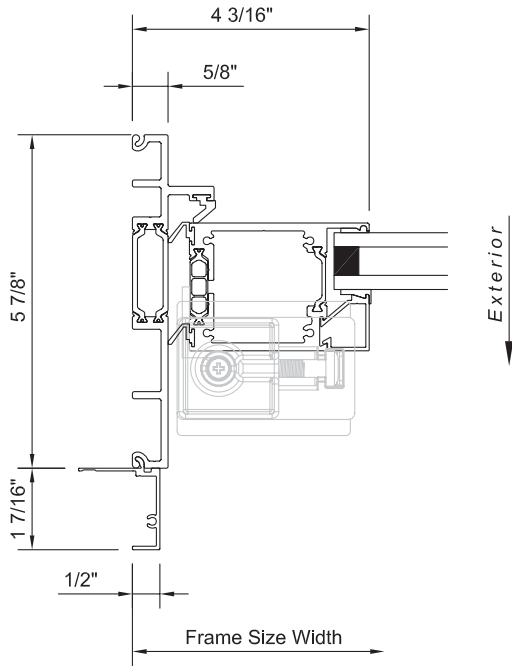


head load bi-fold  
fold-out jamb at pivot hinge at 1" stucco return

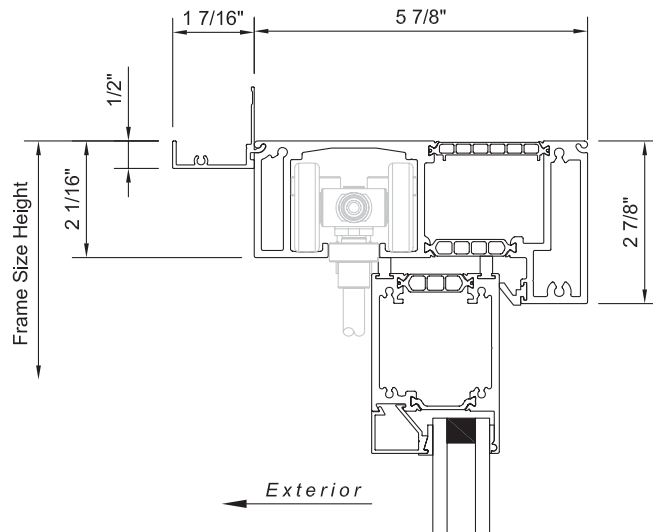


head load bi-fold  
fold-out head at 1" stucco return

# Series 7950 Bi-Fold Door



head load bi-fold  
fold-out jamb at pivot hinge at 1 3/8" stucco return



head load bi-fold  
fold-out head at 1 3/8" stucco return