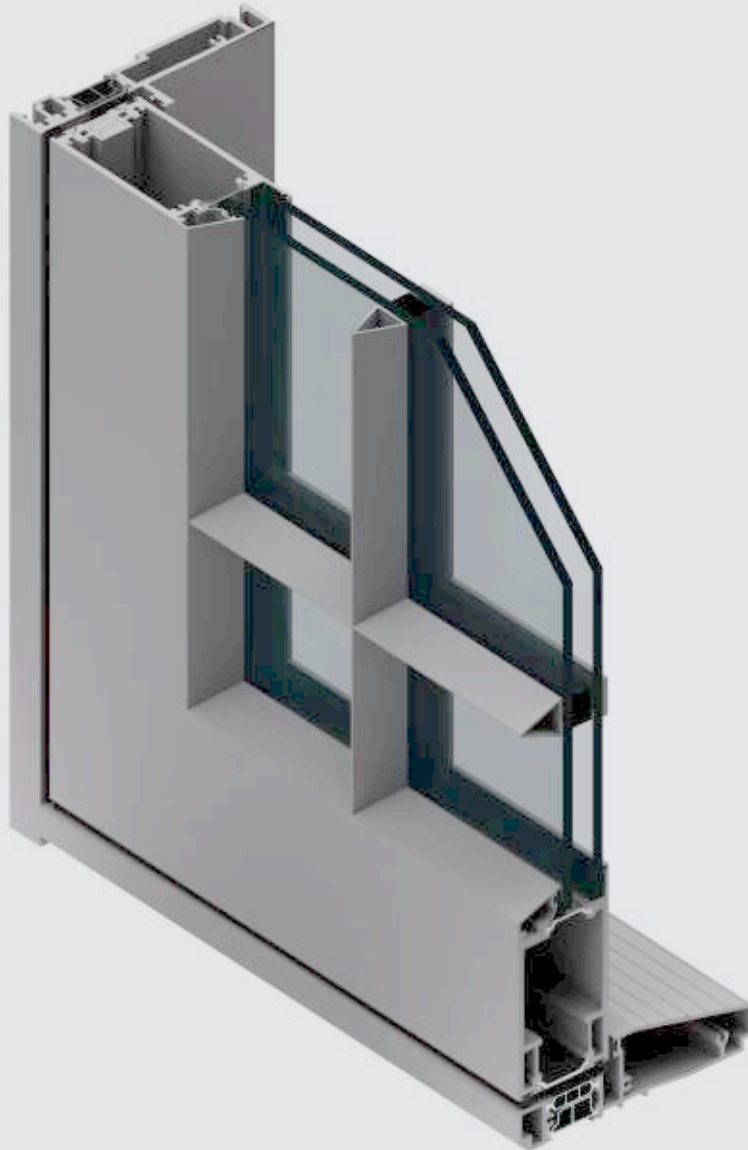


Series 7900s



Hinged Door (Out-swing)



Build Better

SIMULATED STEEL LINE: Energy-smart, design-forward aluminum doors and windows that look like steel but are far more affordable.

Series 7900s Hinged Door (Out-swing)

The Series 7900s Hinged Door features a wide glass panel that maximizes views and lets in natural light, as well as creating an impressive main entrance or clear interior passage, and it also can connect the indoors with the outside via a patio, deck, or balcony. Currently available in a 4' by 12' size, the door is available in single or double out-swing configurations and can be partnered with any of our window styles. Narrow sightlines, beveled glass stops, and coped muntin bars replicate the profiles of historic buildings, universities, and commercial projects. The aluminum features high-quality anodized or painted finishes.

ENERGY EFFICIENCY

A .32 U-value for standard low-E, argon-filled dual-pane glass gives the door excellent energy efficiency and is tested for air, water, and structural performance and is certified by the NFRC and AAMA. Glass can be customized in a variety of coatings, tints, and thicknesses for improved privacy, protection, and thermal efficiency. Our signature aluminum extrusion design further reduces energy consumption. The Series 7900s features Energy Star-qualified options and complies with California's rigorous Title 24 requirements.

HARDWARE

On doors over eight feet tall, stainless steel roller catches are utilized to pull the door tight.

OPTIONS

The standard threshold is 5.875" wide and features a 1" exterior step that protects against water penetration. The commercial threshold favors ease of entry over protection from the elements and is capable of meeting ADA requirements. Our premium handle features a minimal one-piece design. Lock options include the Type C lock (standard deadbolt), three-point, five-point, or six-point lock.

FINISHES AND COLORS

Finishes are available in-stock or as designer selections, and they can be customized to match nearly any color. Split finishes are available in many combinations. Bronze Anodized and Satin Anodized come standard with a Class 1 coating thickness for increased smoothness and durability. Our designer colors include a high-quality paint finish that conforms to a minimum rating of AAMA-2605, currently the highest rating for organic finishes.

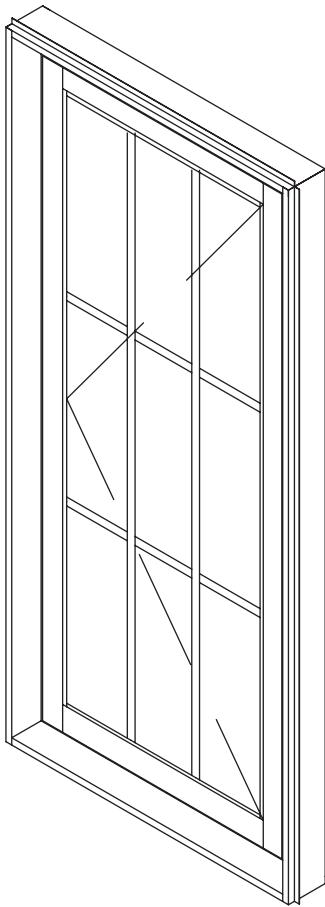
PERFORMANCE

Frame Depth	5 7/8"
AAMA Product Designation (AAMA/WDMA/CSA101/I.S.2/A440 Designation)	CW-PG50-48x120-SHD
Test Configuration	48" x 120" X Swing-Out
Air Infiltration (Per ASTM E 283)	.00 cfm/sf @1.57 psf
CSA A440 Air	A3
Water Resistance (Per ASTM E 547)	7.5 psf
Uniform Load Deflection (Per ASTM E 330)	50 psf
Uniform Load Structural (Per ASTM E 330)	75 psf
Forced Entry Resistance	AAMA 1304-02
U-Factor (Per NFRC 100)*	0.32
CR (Per NFRC 500)*	64
CRF Frame (Per AAMA 1503)	70
Actual values may vary depending on product specifications and configuration. *Glass Makeup = 1" OA E366/Argon/Clear	



Series 7900s Hinged Right - Swing Out Door

Series 7900s Hinged Door (Out-swing)



Simulated Steel Features

- .32 U-value for standard low-E, argon-filled dual-pane glass
- All-climate coated or high-performance glass from Cardinal IG
- Glass can be customized and includes options such as laminated glass, solar- and glare-control glass, enhanced winter performance glass, and low-maintenance glass
- Pre-applied Cardinal Preserve film protects glass during installation
- Currently available in 4' x 12' panel sizes
- Performance-rated at DP50
- Standard and commercial threshold options
- Four locking options
- Heavy-duty hardware
- In-stock, designer, split, and custom finishes
- Title 24 compliant (California)

Series 7900s Hinged Door (Out-swing)

