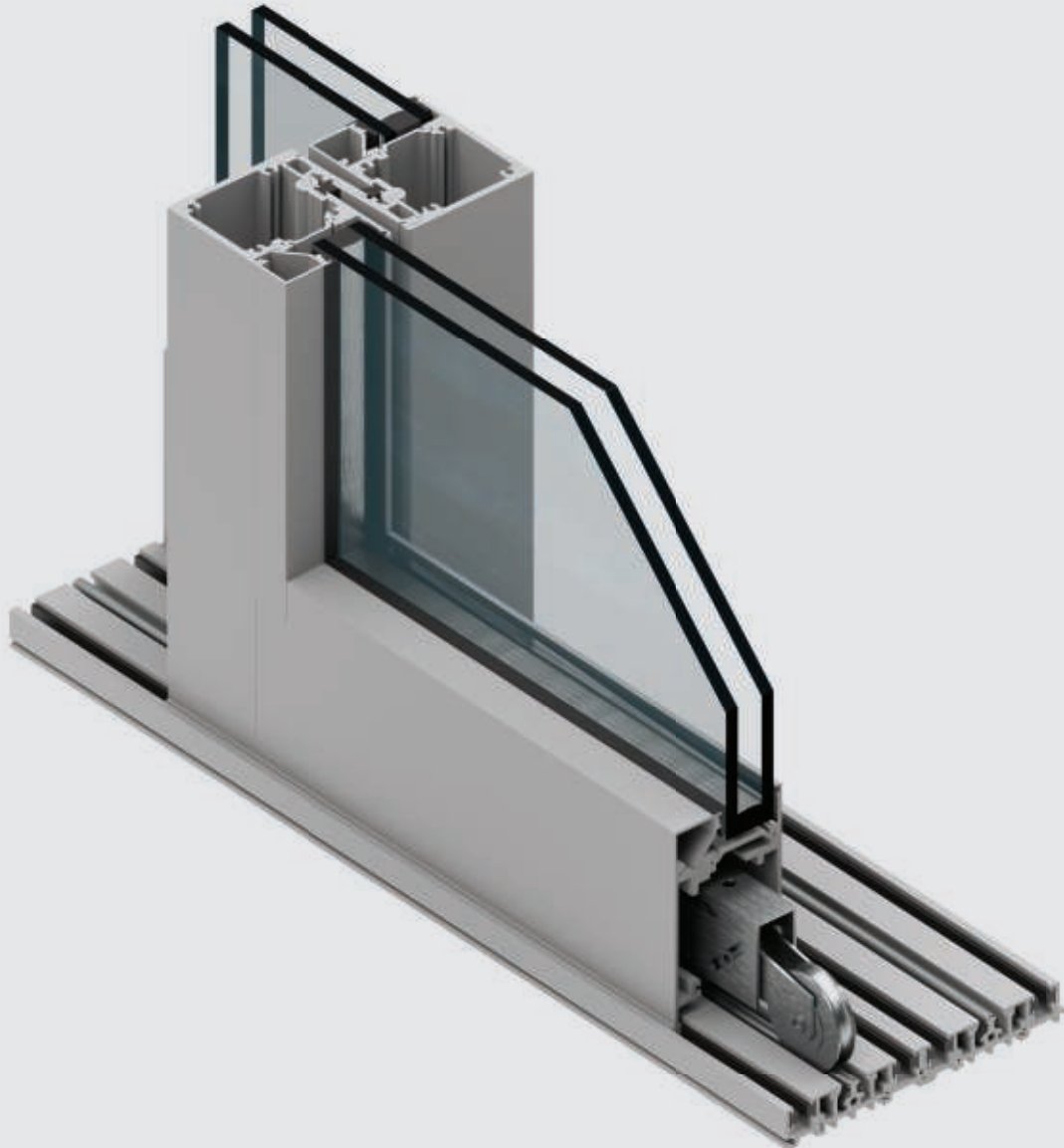


Series 7600 Multi-Slide Door



Build Better

PERFORMANCE LINE: Our Series 7000 family of moving glass walls and windows addresses energy and structural requirements while promoting contemporary design.

Series 7600 Multi-Slide Door

The Series 7600 Multi-Slide Door features large, unobstructed rolling glass panels that stack or slide into pockets to create extra-wide openings for indoor-outdoor commercial and living spaces. It is available with panels up to 15 feet tall in many applications. And even with extreme panel sizes, it is easy to operate, thanks to sealed stainless steel ball bearing rollers. The aluminum frame's clean lines, narrow profile, and high-quality anodized or painted finishes deliver a contemporary aesthetic that seamlessly blends into nearly any space.

ENERGY EFFICIENCY

A .30 U-value for standard low-E, argon-filled dual-pane glass from Cardinal IG gives the door premium energy efficiency. It is compliant with California's rigorous Title 24 requirements and can be customized in a variety of panel counts, configurations, and wall depths. The aluminum frame and panels are thermally broken to reduce heat and cold transfer. NFRC labeling is included to comply with energy code requirements.

HARDWARE

The sealed stainless steel ball bearing rollers are AAMA-certified and include a standard 1.81" size. Our optional Quad-Zilla rollers are capable of handling extreme panel sizes and heavy glass types. A hidden stainless steel multi-point lock secures the sliding panels.

OPTIONS

Sill options include a 2" or 2.6" water barrier height offering design flexibility with varying performance ratings; a flush sill, which is best when ease of entry is more important than keeping out the elements; and the Thinline sill, which is ideal in situations where the continuation of flooring from the inside to the outside appears seamless. Handle options include a flush-mounted handle, which allows panels to slide past each other and stack flush or into a pocket. The contemporary handle features a minimal one-piece design and comfortable grip. Both handles have an optional keyed cylinder.

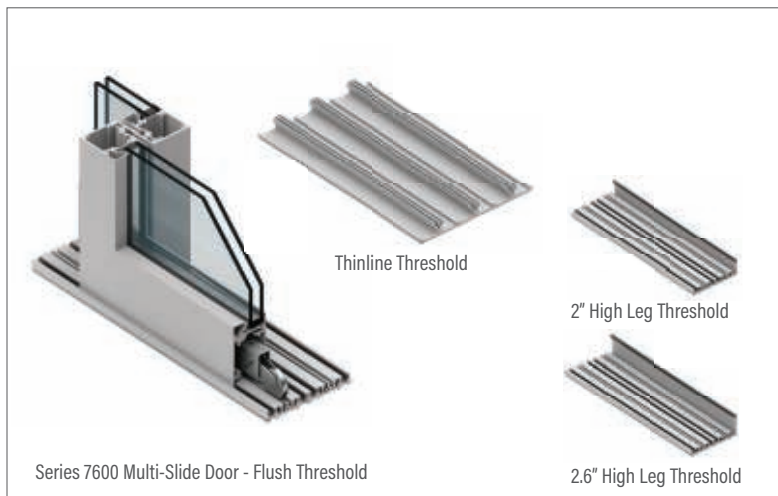
FINISHES AND COLORS

Finishes are available in-stock or as designer selections, and they can be customized to match nearly any color. Split finishes are available in many combinations. Bronze Anodized and Satin Anodized come standard with a Class 1 coating thickness for increased smoothness and durability. Our designer colors include a high-quality paint finish that conforms to a minimum rating of AAMA-2605, currently the highest rating for organic finishes.

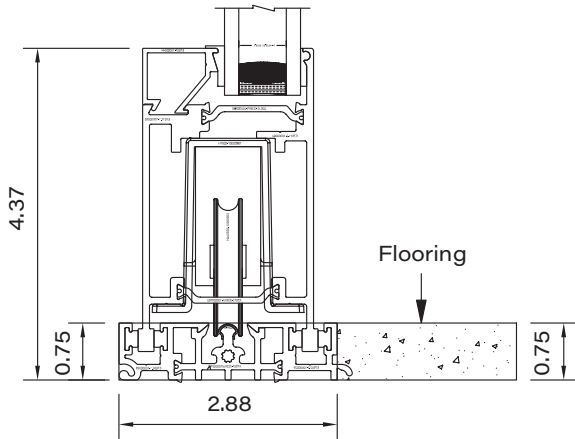
PERFORMANCE

Frame Depth	2.87" Per Track
AAMA Product Designation (AAMA/WDMA/CSA101/I.S.2/A440 Designation)	LC-PG50- 144x120-SD
Test Configuration	144" x 120" XXO
Air Infiltration (Per ASTM E 283)	.24 cfm/sf @1.57 psf
CSA A440 Air	A2
Water Resistance (Per ASTM E 547)	8.0 psf
Uniform Load Deflection (Per ASTM E 330)	50 psf
Uniform Load Structural (Per ASTM E 330)	75 psf
Forced Entry Resistance	ASTM F842 Type B Grade 10
U-Factor (Per NFRC 100)*	0.30
CR (Per NFRC 500)*	57
CRF Frame (Per AAMA 1503)	69

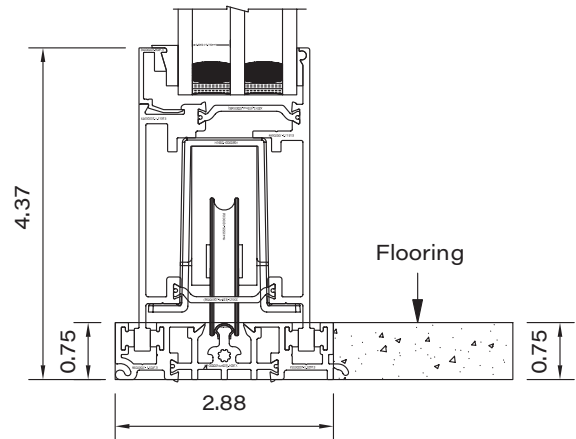
Actual values may vary depending on product specifications and configuration.
*Glass Makeup = 1" OA E366/Argon/Clear



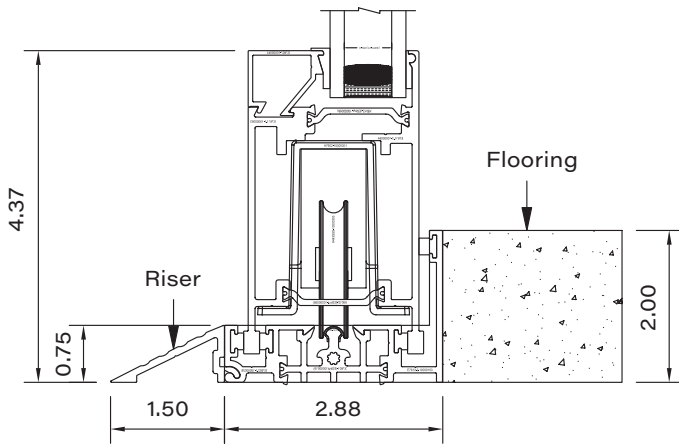
Series 7600 Multi-Slide Door



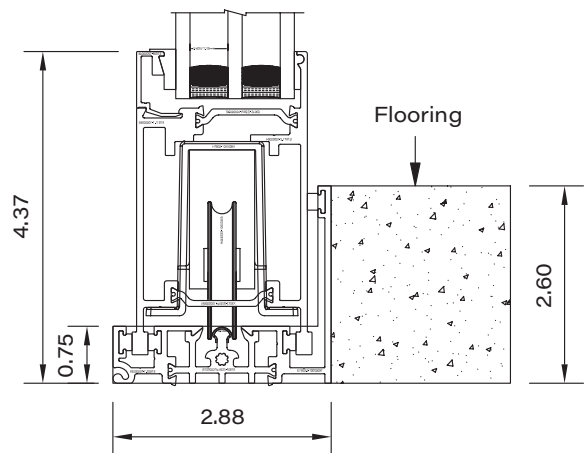
flush threshold with tandem, Quad-Zilla, and dual-pane glass



flush threshold with tandem, Quad-Zilla, and triple-pane glass

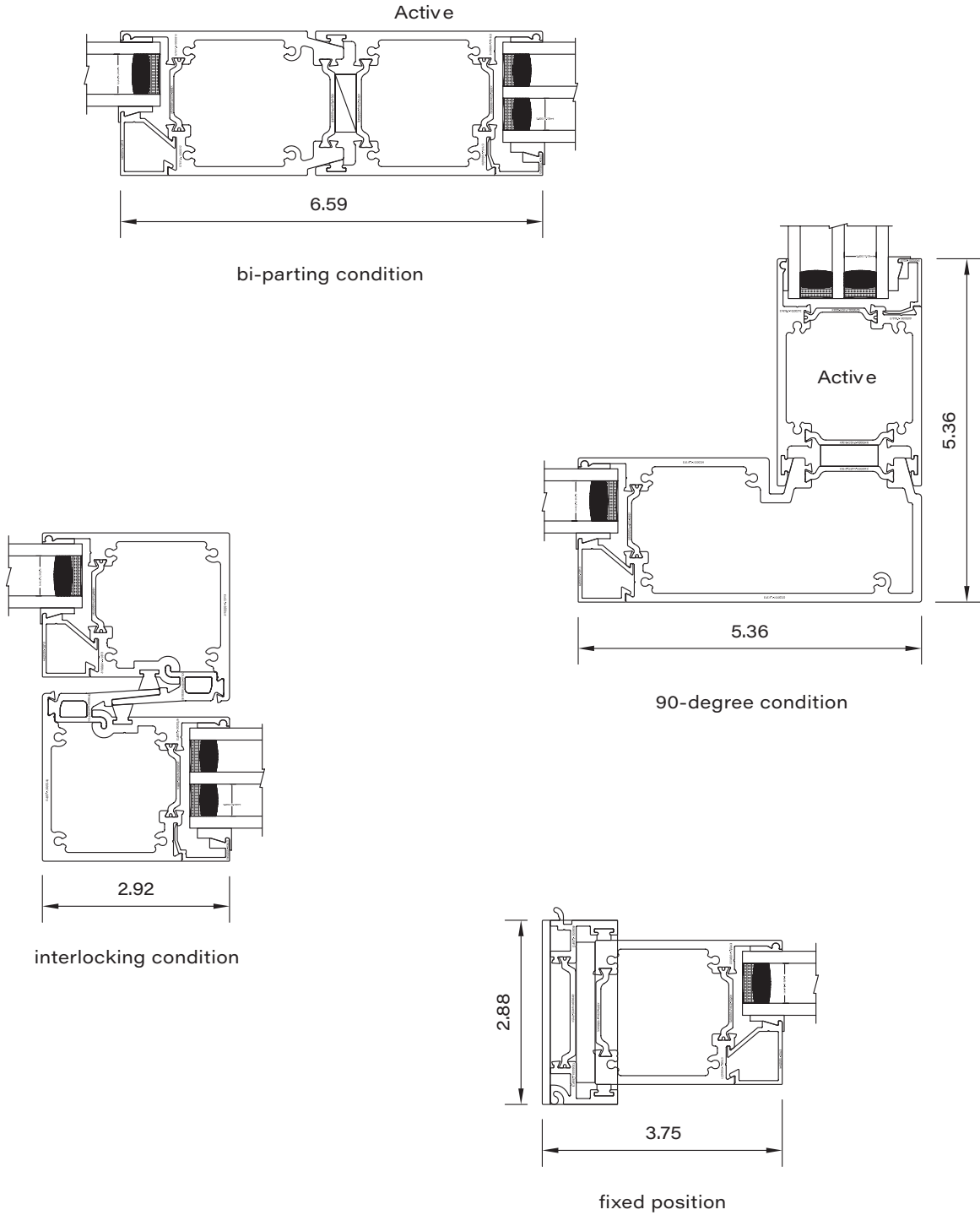


2" threshold with tandem and Quad-Zilla

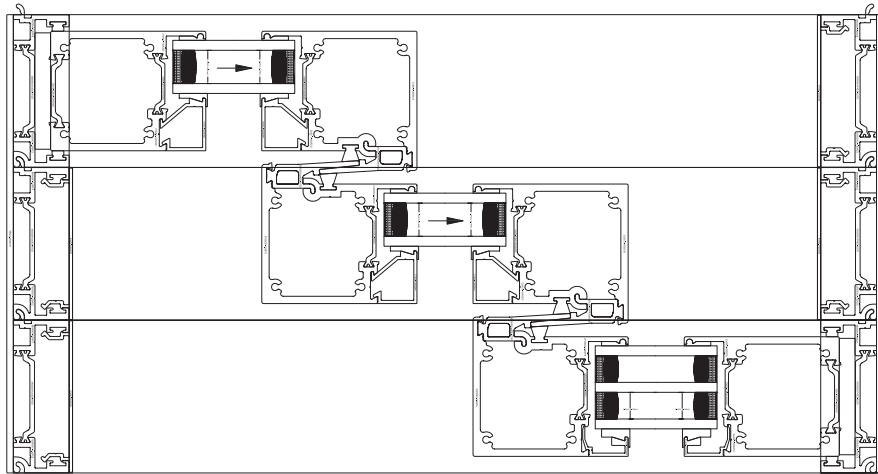


high-performance 2.6" threshold with tandem and Quad-Zilla

Series 7600 Multi-Slide Door

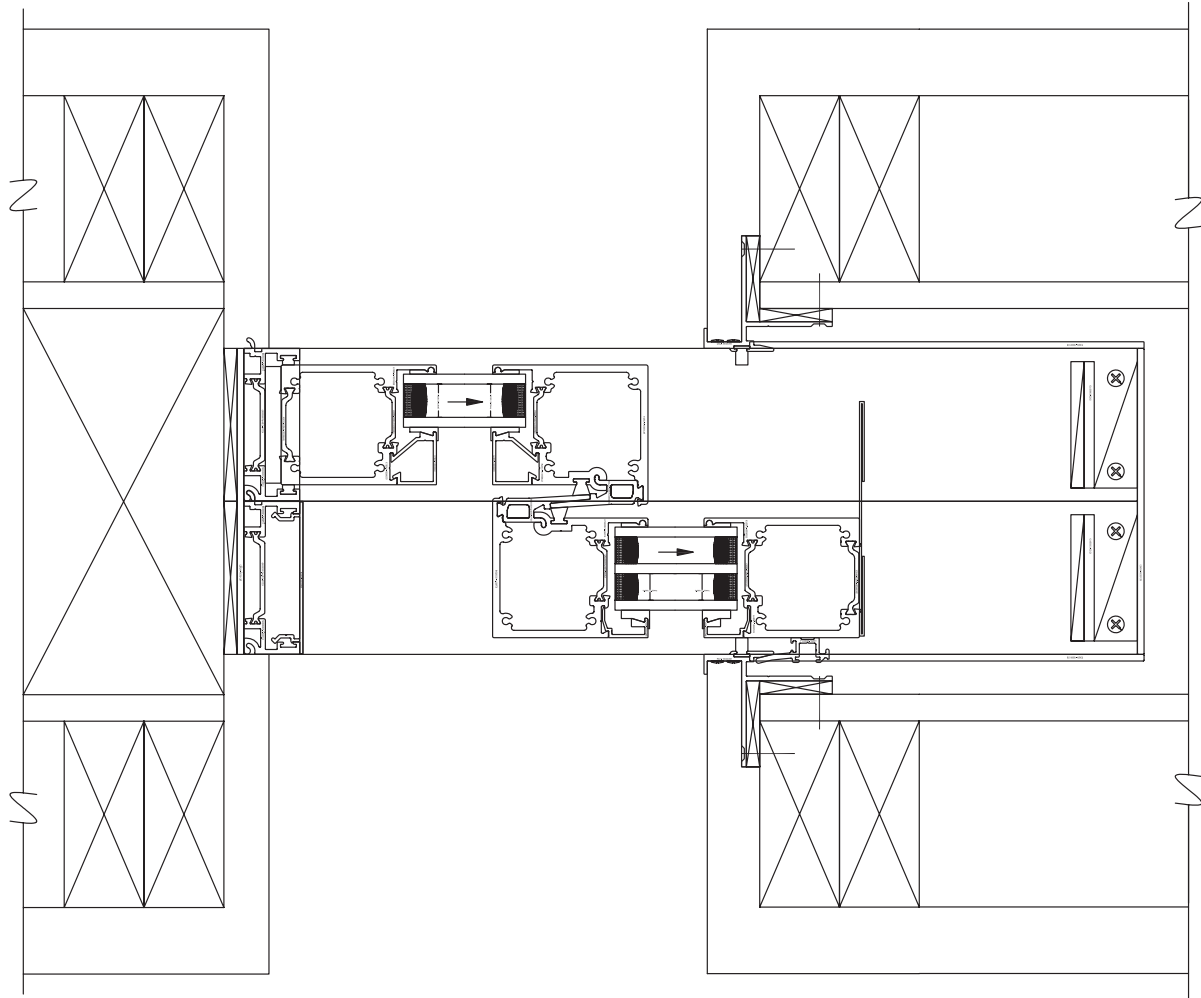


Series 7600 Multi-Slide Door



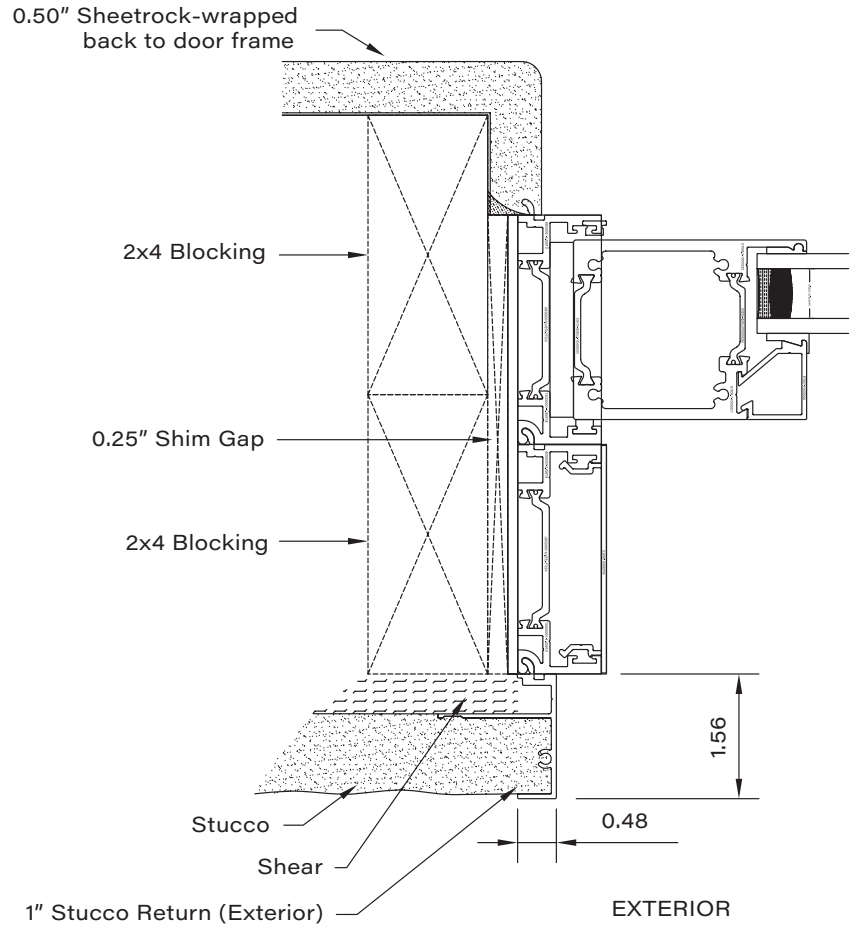
horizontal section of
3-panel stacking door or 2XO

Series 7600 Multi-Slide Door



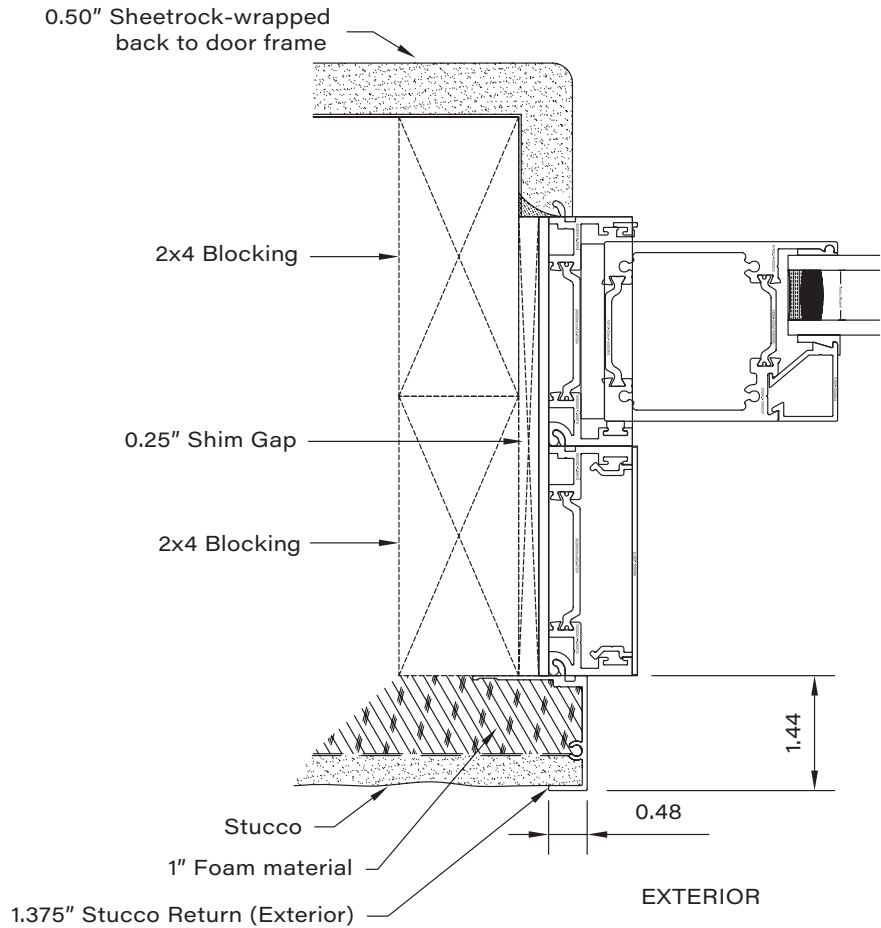
horizontal section of
2-panel pocket door or 2XP

Series 7600 Multi-Slide Door



1" stucco return wall construction profile @ stud multi-slide door jamb application

Series 7600 Multi-Slide Door



1.375" stucco return wall construction profile @ stud multi-slide door jamb application