

series 600 fixed

equal leg frame window



western
window systems
westernwindowssystems.com



installation instructions

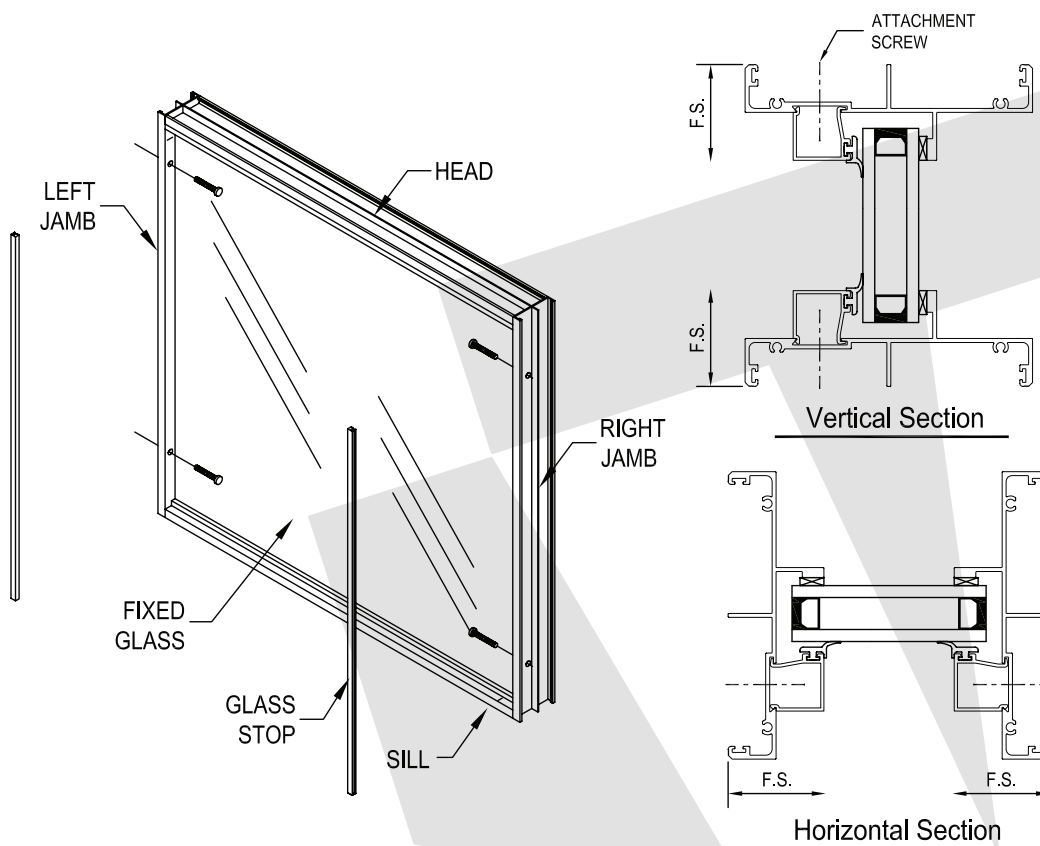


series 600 fixed

equal leg frame window



installation instructions



Note: Rough openings should be flashed with an appropriate moisture barrier in accordance with industry standards and/or building codes. Perimeter caulk window frame to moisture barrier after installation.

1. Remove stops from jambs. Drill 3/16" holes in stop tracks at max. 12" O.C. with the first screw at 6" from the corner of the frame. Countersink holes so that head of screw will not interfere with replacement of stops.
(recommended screw type 10 - 2 1/2 flat head)
2. Place window in opening. Window sill should sit level with full bearing on structural sill.
3. Center window in opening. Verify plumb and level condition of window, making sure the reveal is equal.
4. Shim window above or below all anchor points. Verify plumb and level.
5. Secure jambs with screws at pre-drilled holes to secure window jambs to structure with appropriate length of screws.
Re-apply jamb stops.
6. Recheck plumb and level condition of window.

Note: when exterior wall finish is completed; perimeter caulk to window frame.