

series 670 push-out

casement window: nailfin ▶ equal leg



western
window systems
westernwindowssystems.com



installation guide



series 670 push-out

casement window: nailfin ▶ equal leg



western
window systems
westernwindowssystems.com

installation guide

series 670 push-out casement window: nailfin

Note: Rough openings should be flashed with an appropriate moisture barrier in accordance with industry standards, building codes, and AAMA Installation Masters Program in weatherboard fashion.

1. Verify opening is of appropriate size to accept product. Opening is to be square, plumb, and level.
2. Apply a continuous one-finger bead of sealant to the interior face of the nail fin.
3. Immediately place window into flashed opening. Nail flange is to make full contact around rough opening.
4. Verify unit is square, plumb, and level.
5. Secure all nail flanges to structure using self-taping screws at 12" on center with the first screw 3" from corner.
6. Seal all screw heads and edge of flange.
7. Verify unit is square, plumb, and level.
8. Close sash and verify proper operation of sash and cam handle lock.

series 670 push-out casement window: equal leg

Note: Rough openings should be flashed with an appropriate moisture barrier in accordance with industry standards, building codes, and AAMA Installation Masters Program in weatherboard fashion.

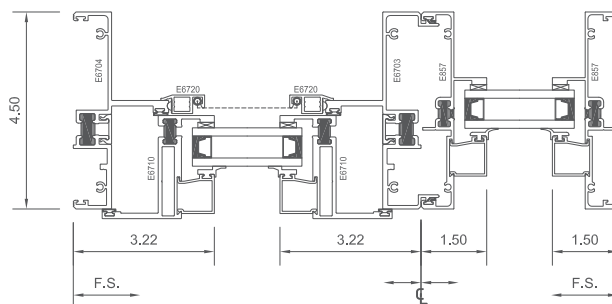
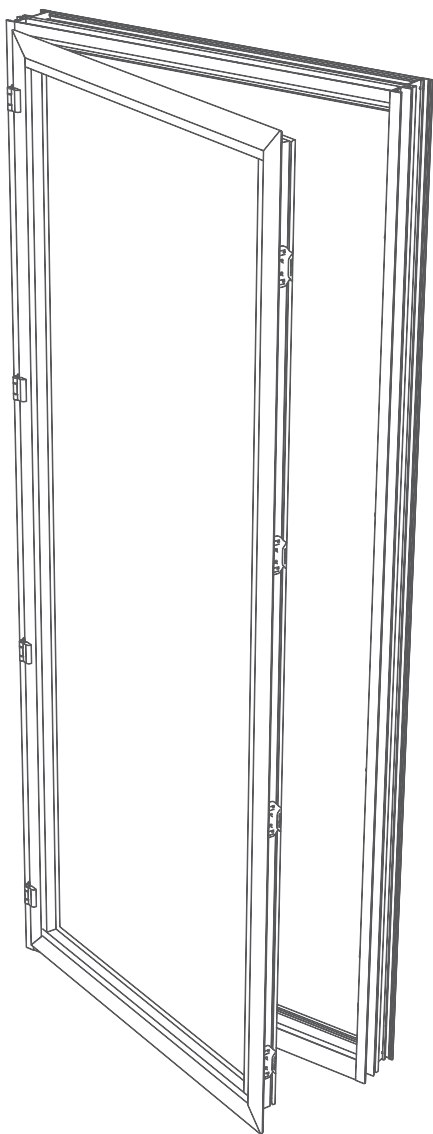
1. Verify opening is of appropriate size to accept product. Opening is to be square, plumb, and level.
2. Apply two-finger bead of sealant across width of opening and 4" up both jambs. Locate 2" inside of the outer frame point.
3. Open sash. Drill and countersink for installation screws every 18" on center with a minimum of two fasteners per side.
4. Place window into opening and hold in place with shims at the head.
5. Square, level, and plumb the window using shims.
6. Pump sealant into installation holes then run #10 x 2.5" installation screws through prepared holes.
7. Trim excess shims.
8. Backer rod and perimeter caulk the full exterior perimeter.
9. Lay a back bead of sealant behind sill the entire width of opening and 4" up both jambs.

series 670 push-out casement window: nailfin ▶ equal leg

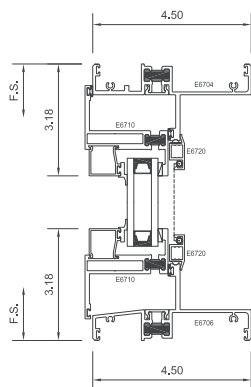


installation guide

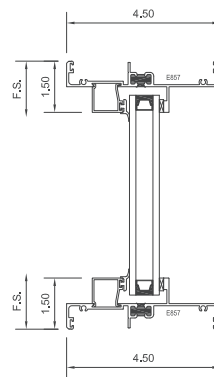
hardware and details



A jamb
thermally broken ▶ casement window
thermally broken ▶ fixed window



B head ▶ sill
thermally broken ▶ casement window



C head ▶ sill
thermally broken ▶ fixed window