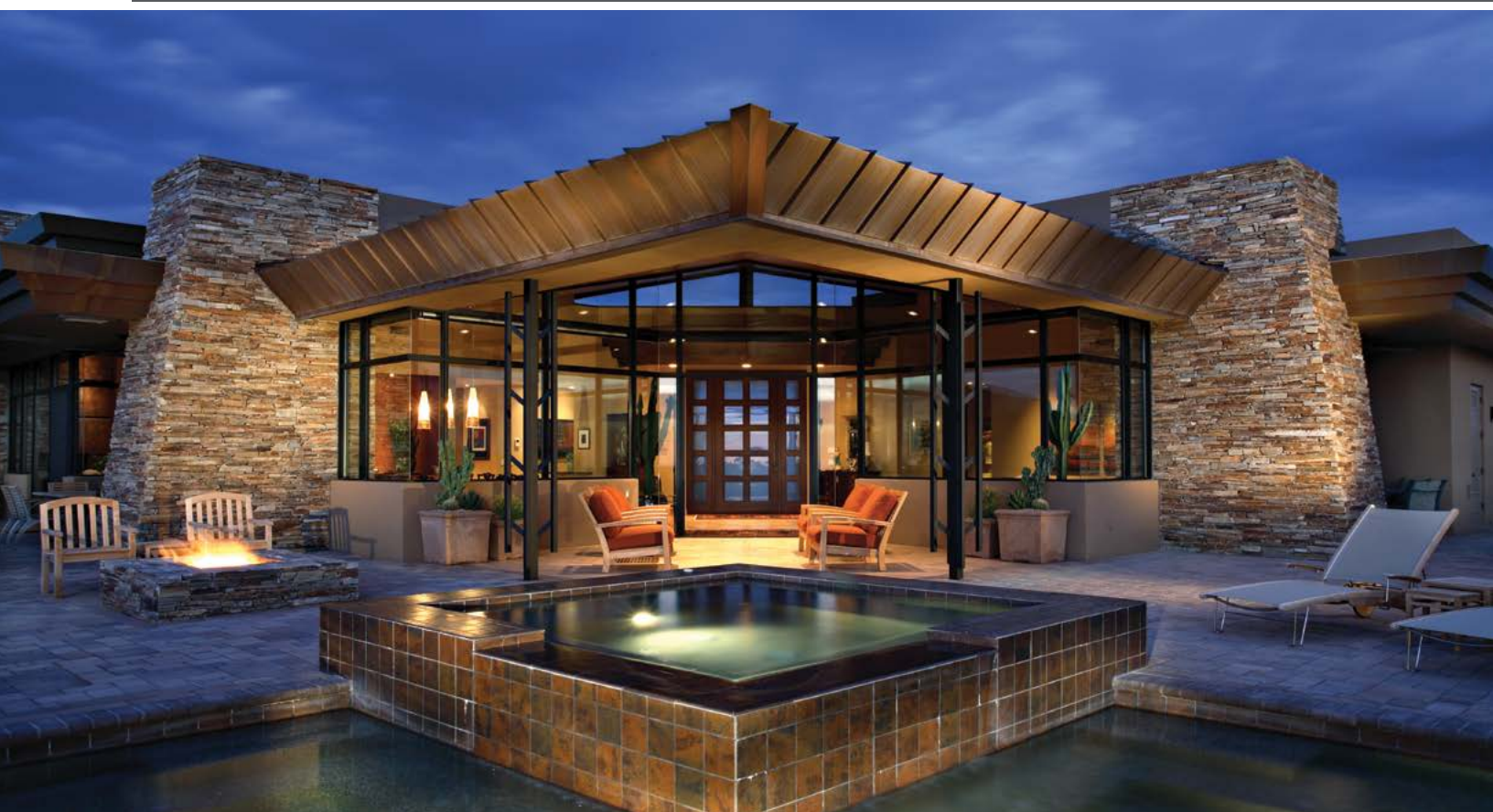


horizontal steel



installation instructions



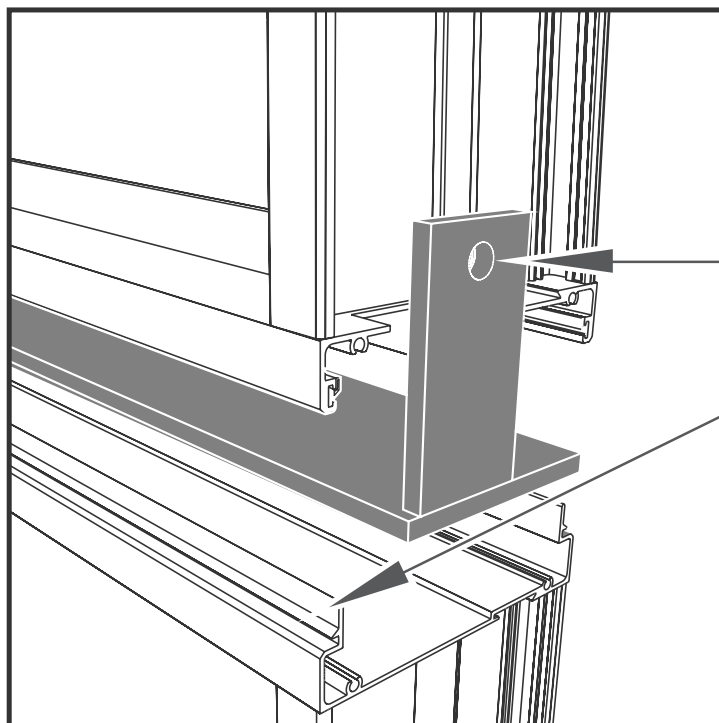
horizontal steel

installation instructions

1. Reference 600 series window wall installation instructions for frame installation of Window A, this should be the bottom window.
2. Once window A is plumbed and level in place, snap vertical steel into the hollow of male mullion extrusion (E658 or E858). Legs of the mullion should be facing up. Tabs should always face up. A small amount of caulking or silicone can be applied between the steel face and the extrusion it rests against to counter any rattling that may exist after installation is complete.
3. Once steel is in place, anchor steel to the structure through the holes provided in the steel tabs using approved fasteners. Anchors are required at both jambs.
4. Run a small bead of silicone on exterior of both male legs of the mullion and place window B into place over it. Snap together using quick clamps or equal.
5. Once mullion is completely snapped together, level and plumb window section B and fasten per window wall instructions.
6. Repeat steps 2-5 as needed for number of units tall in your opening.

setup for thermal break condition

Horizontal mull configuration viewed from exterior



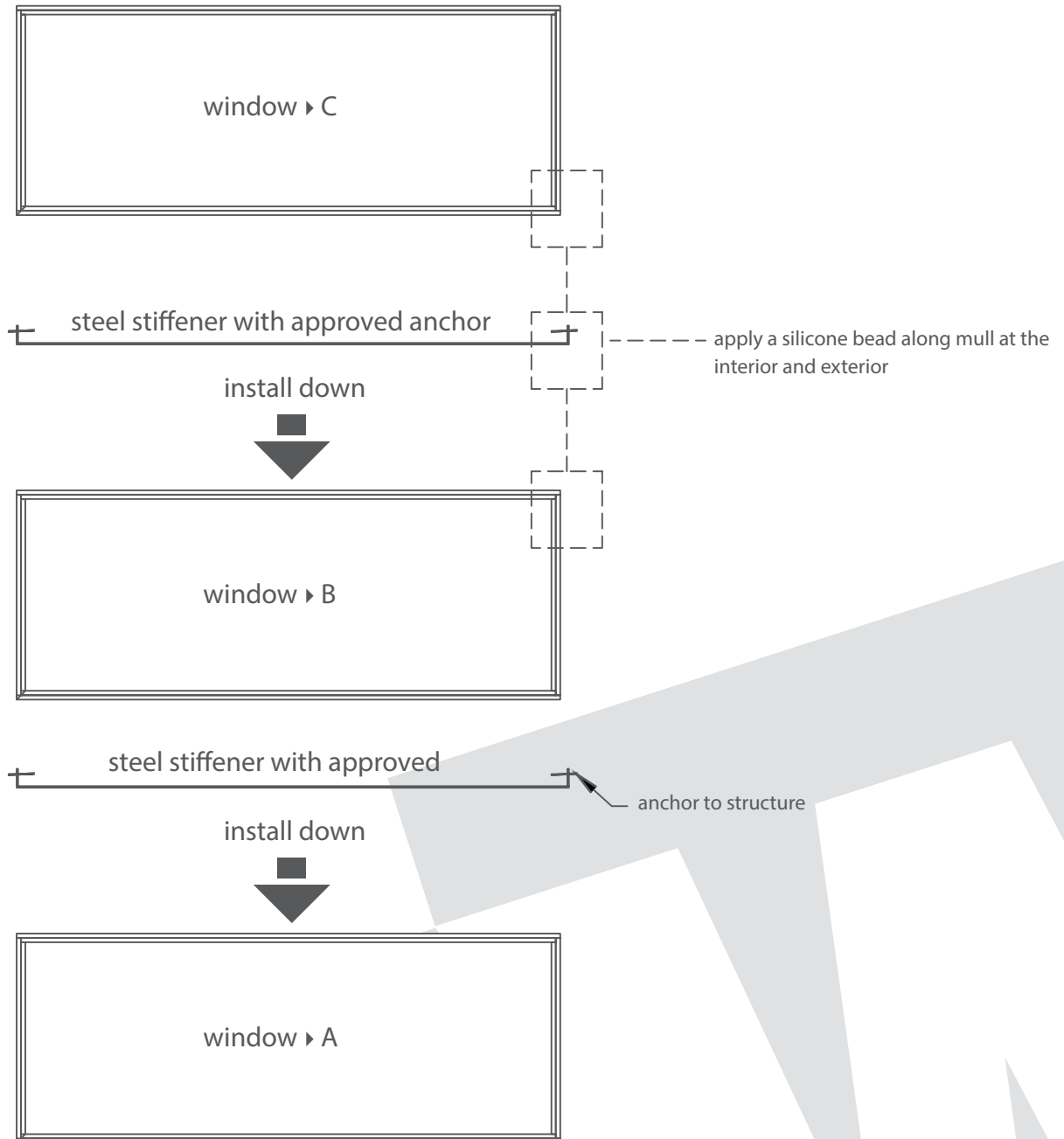
- ▶ steel stiffener provided by WWS
- ▶ stiffeners shipped loose
- ▶ approved anchors not provided by WWS

anchor to structure through stiffener tab hole with approved anchors

apply a silicone bead along mull at the interior and exterior

horizontal steel

installation instructions

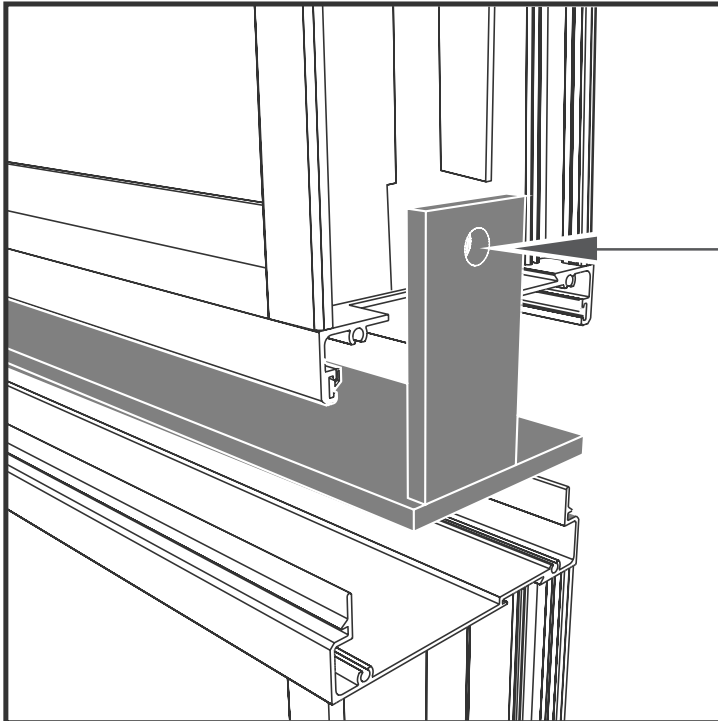


horizontal steel

installation instructions

setup for non-thermal break condition

Horizontal mull configuration viewed from exterior



- ▶ steel stiffener provided by WWS
- ▶ stiffeners shipped loose
- ▶ approved anchors not provided by WWS

anchor to structure through stiffener tab hole
with approved anchors

horizontal steel

installation instructions

