

series 980
pivot door



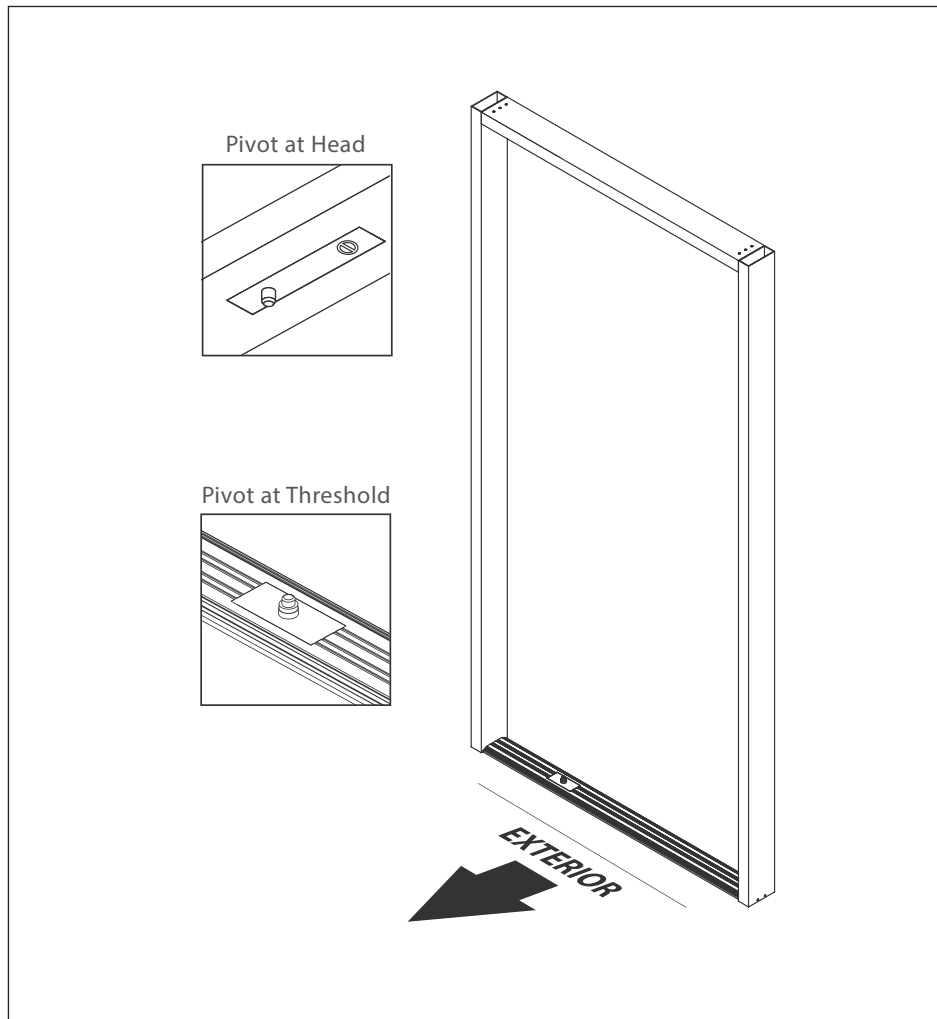
installation instructions

series 980

pivot door



installation



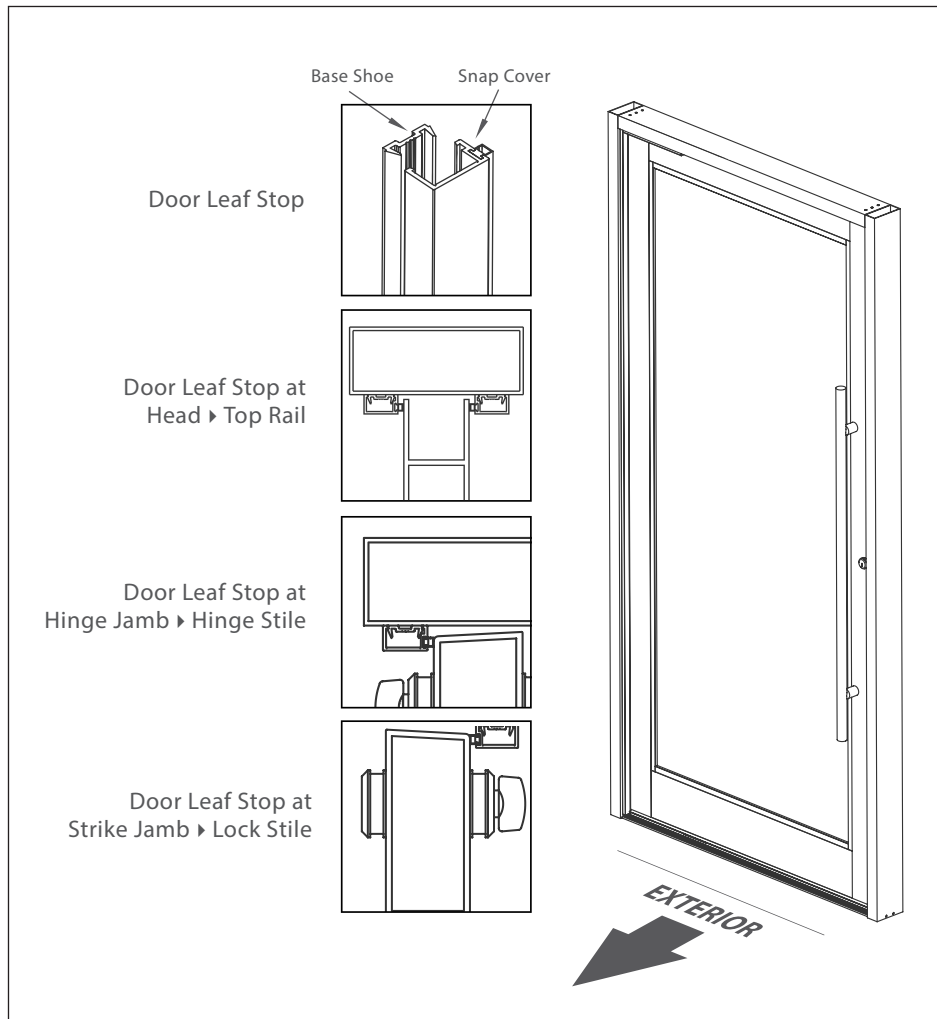
1. **Note: this door application is intended for openings with overhang. There is no warranty for air and water infiltration in any application.**
2. Check each door opening for correct dimensions. Make sure each rough opening is plumb, level and square. Sill must be flat and level.
3. Apply sill, jamb and head flashing in accordance with AAMA Installation Masters practice.
4. Apply a 3/8" diameter bead of high quality sealant across the sub floor 1/2" to the outside of the interior leg of the door sill will be located. Continue the sealant 12" up both rough opening frame jambs to provide a tight seal between the floor and the door sill.
5. Place door frame into the rough opening, making sure it is centered in the opening. Be sure sill is pushed down into the sealant and is flat and level. Shim as needed.
6. Use temporary shims to hold frame in place then CHECK DOOR FOR LEVEL PLUMB AND SQUARE: including diagonal cross check of corner to corner.
7. Shim between both door jambs and structure minimum 4" below head, 4" above sill, then quarter points in between and above/below strike on strike jamb.
8. Drill 1/4" hole through both jambs just above your shim locations and countersink. Locate holes centered on the jamb so that they are hidden when door is in closed position.
9. Anchor to the structure through the jamb using a minimum #10-3 1/2" screw.
10. Double check for level and plumb.
11. Seal perimeter frame to water proof flashing on structure using a backer rod and sealant.

series 980

pivot door



installation



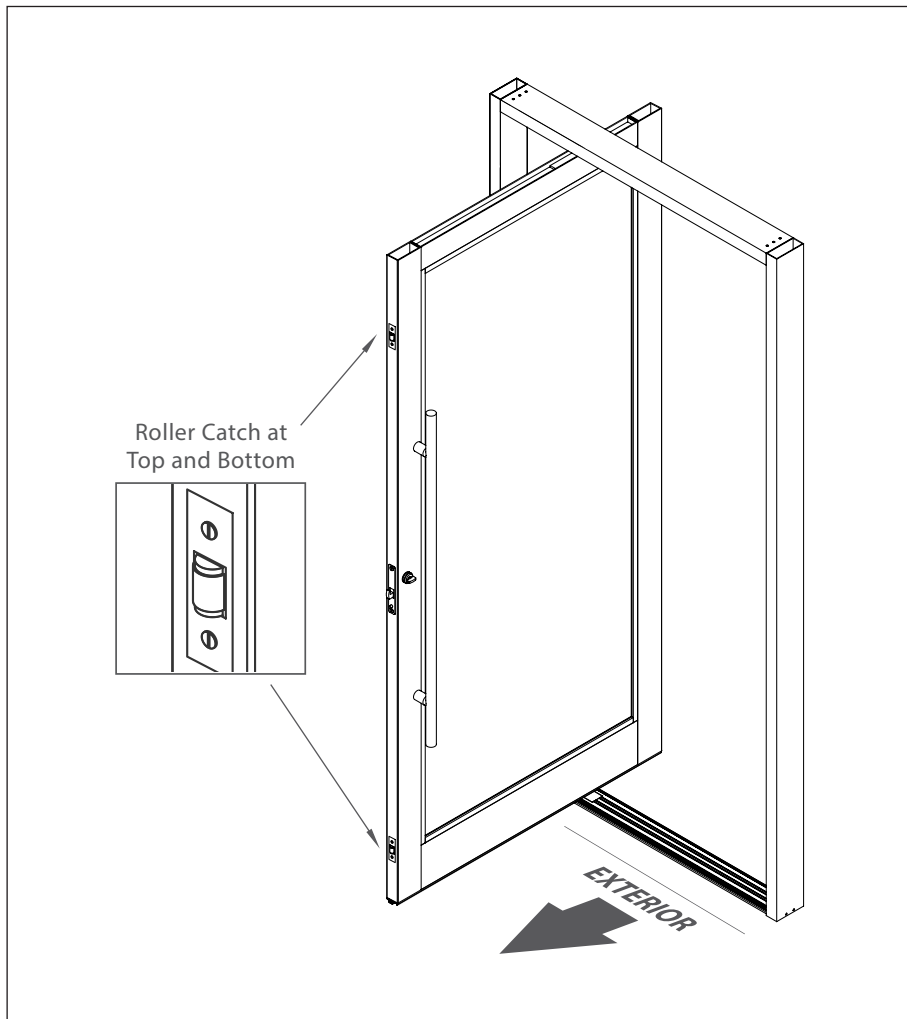
12. Locate 370 pivot in threshold cutout. Confirm location with head pivot with a plumb bob and anchor using supplied screws or equivalent. This must be set level for proper operation.
13. Turn door leaf at a 90 degree angle to the frame and leaning top toward the strike jamb, set lower pivot block onto pivot spindle.
14. Stand door straight up, still at a 90, using a flat head screwdriver turn screw in head pivot clockwise to lower head pin into the head block.
15. Close door and confirm lock performs properly.

series 980

pivot door



installation



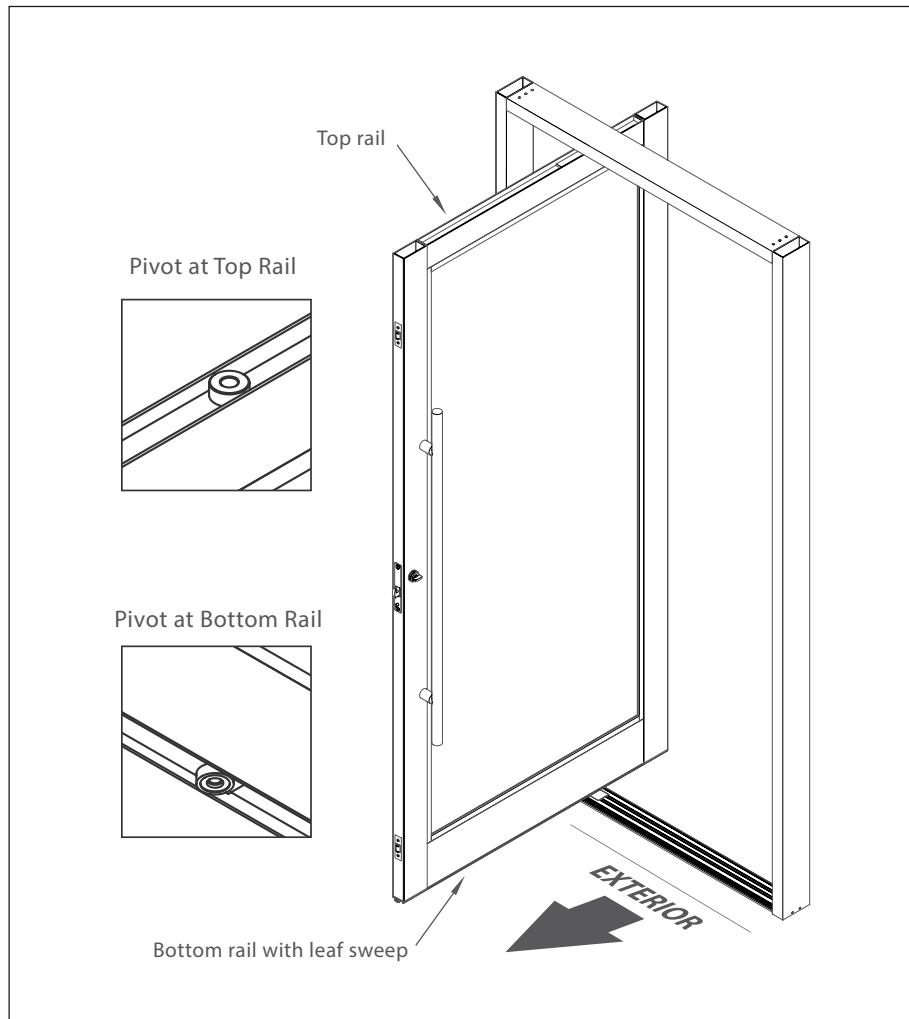
16. Open door and adjust tension on the roller catches so door will hold shut when lock is not engaged. Adjust both screws evenly for smooth operation.
17. Verify your swing direction and apply door stop base shoe (E9156) by marking jamb so that weatherstrip is compressed when door is closed. Use self-taping screws every 8" on center.

NOTE: Apply silicone bead to back of E9156 when screwing into frame to block daylight and provide a seal.

series 980

pivot door

installation



18. Snap cover extrusion with weather strip (E9155) into place at jambs.

19. Repeat this step for the head door stop by cutting to size for desired door opening dimension.

Installation complete