



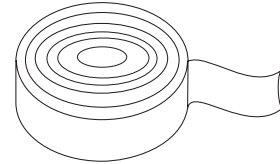
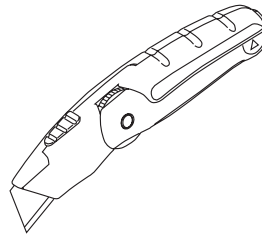
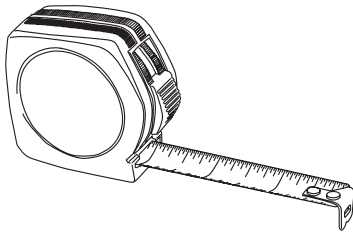
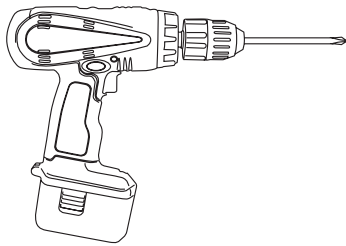
Series 600 Installation Instructions
Retractable Screen (Multi-Slide Stacking and Pocket Doors)

Volume Program

Recommended Tools

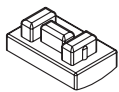


Read installation instructions carefully before proceeding.
Ensure that installation instructions and allen key remain with householder.



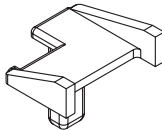
Screen Kit Components

x2



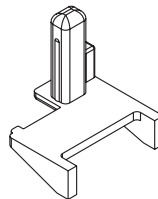
WS-MS

x1



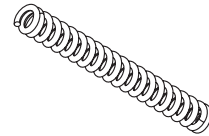
WS-PK-T

x1



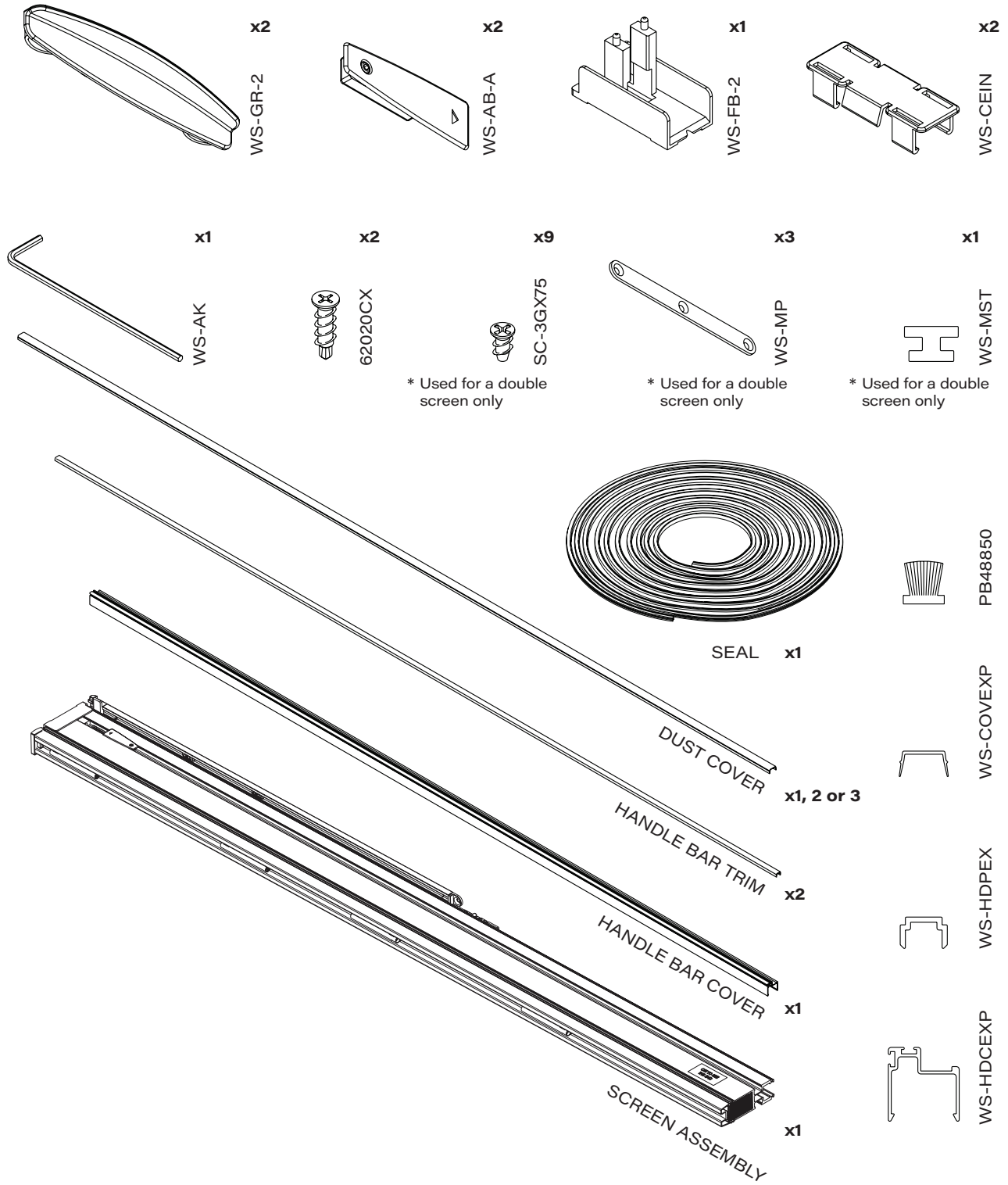
WS-PK-B

x2



WS-CS

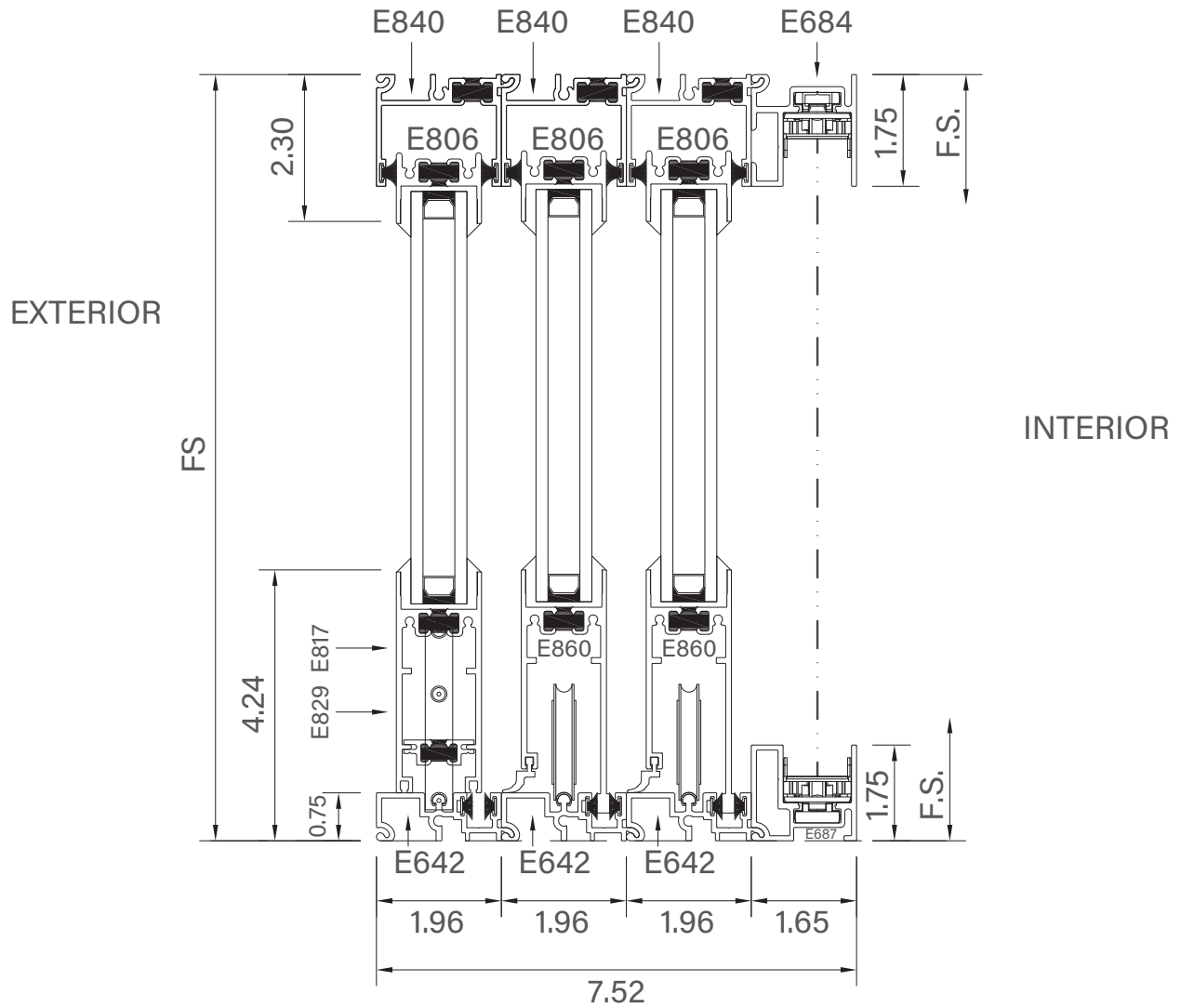
Screen Kit Components



Installation Instructions

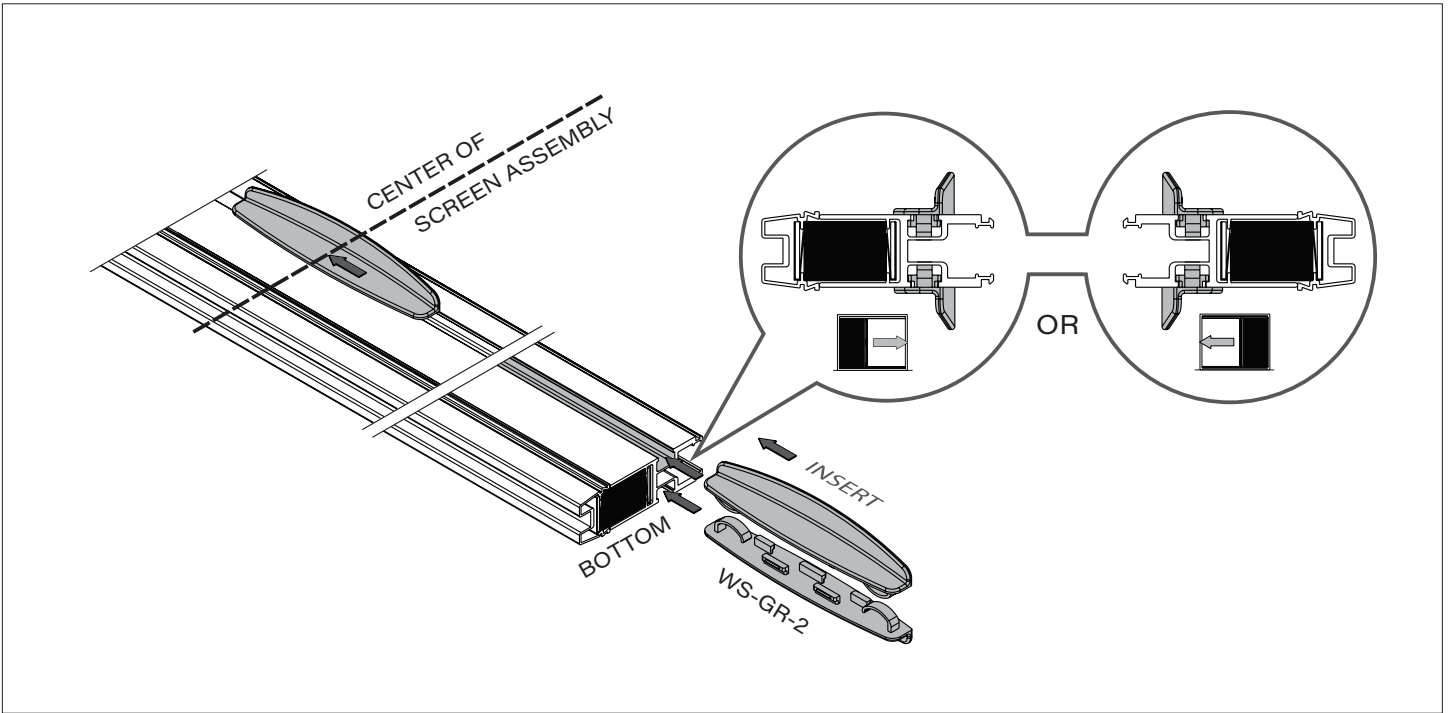
Series 600

1. Section View

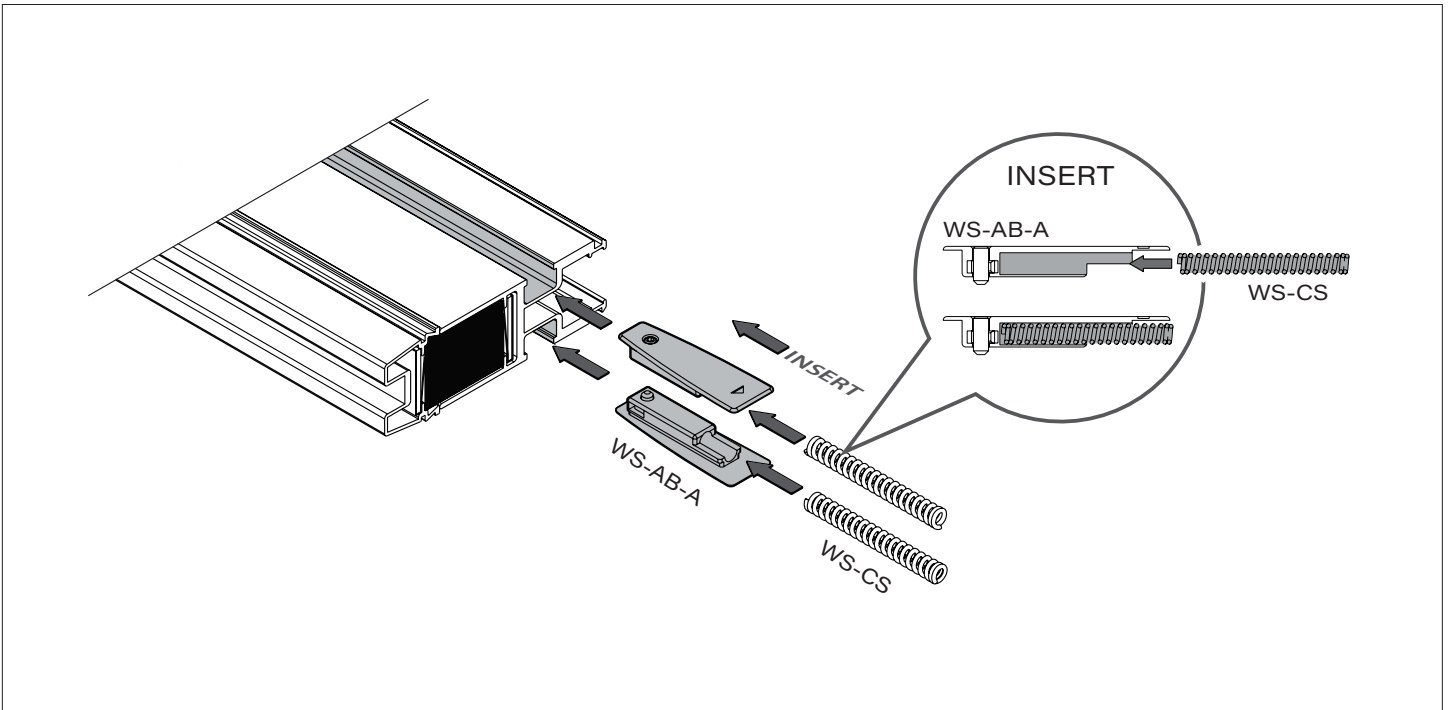


Installation Instructions

2. Inserting the Handle

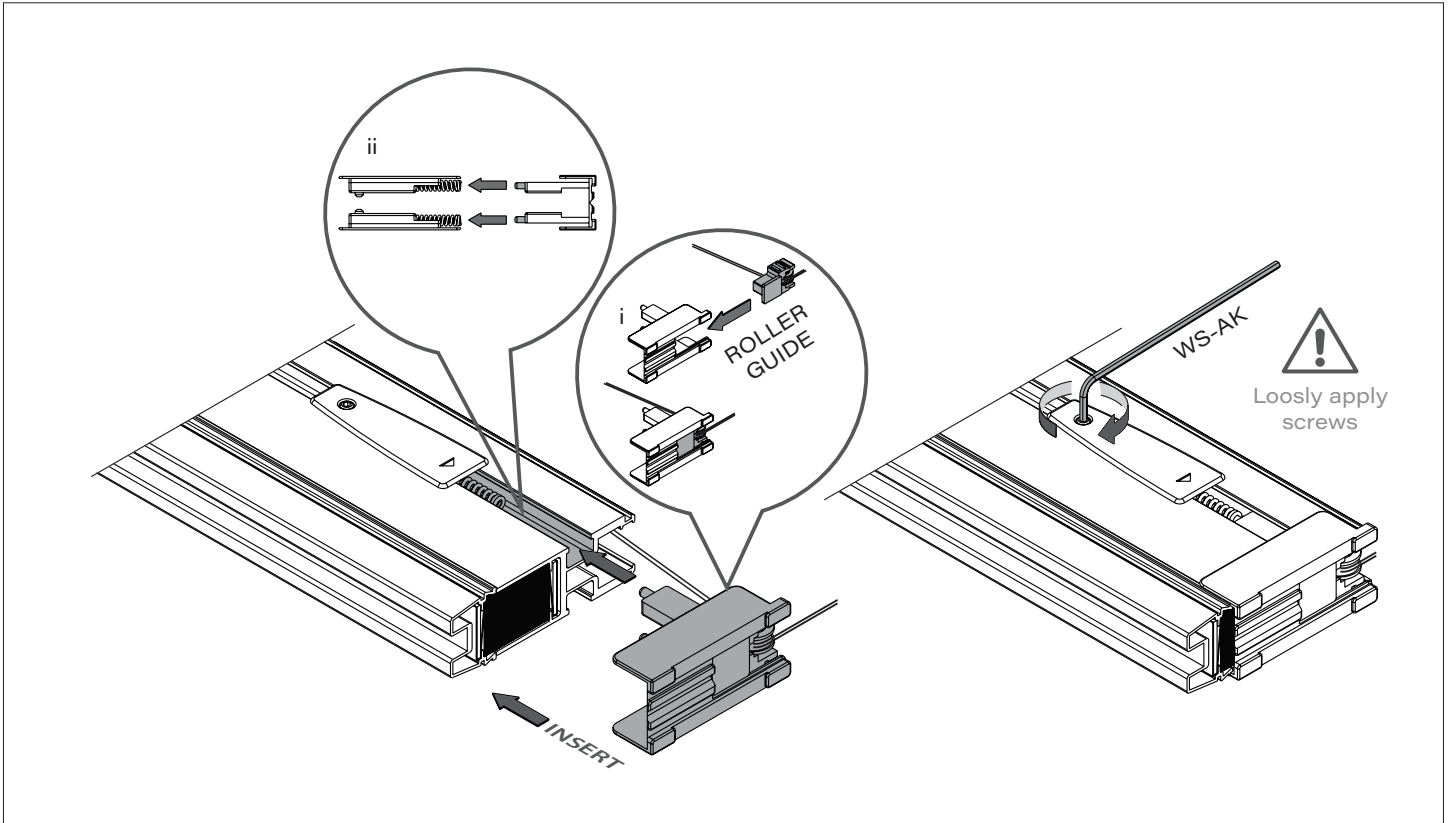


3. Inserting the Adjustment Block

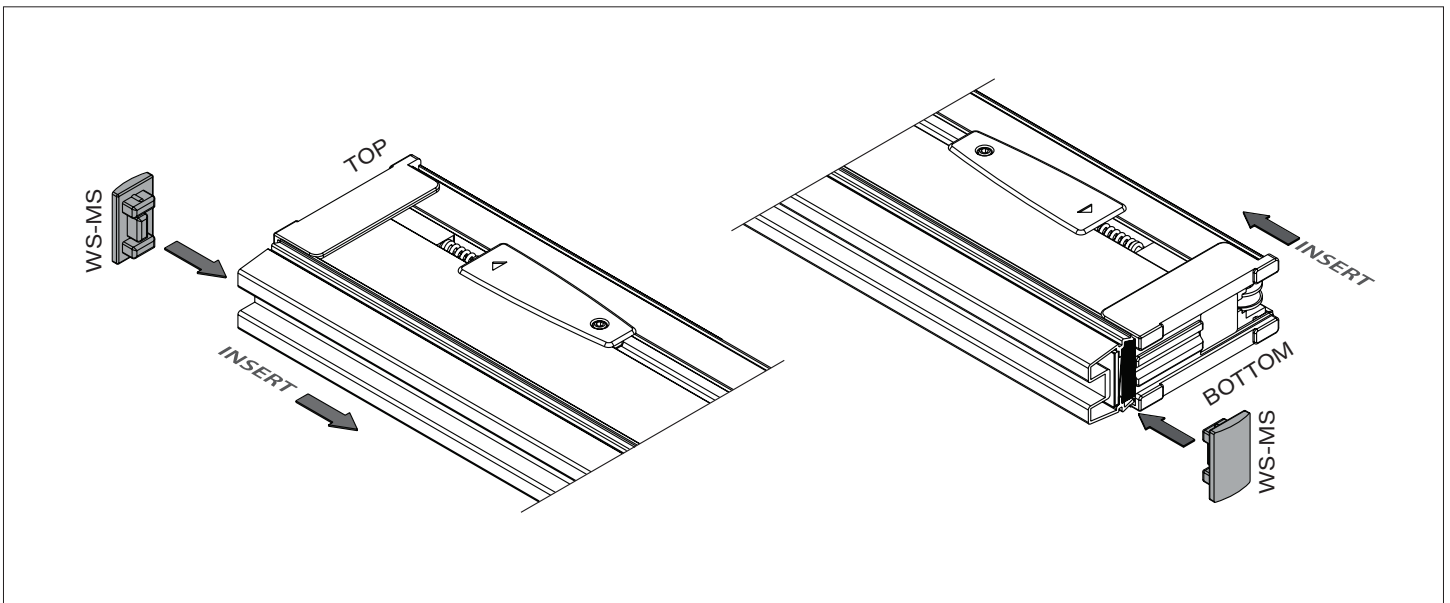


Installation Instructions

4. Inserting the Friction Block



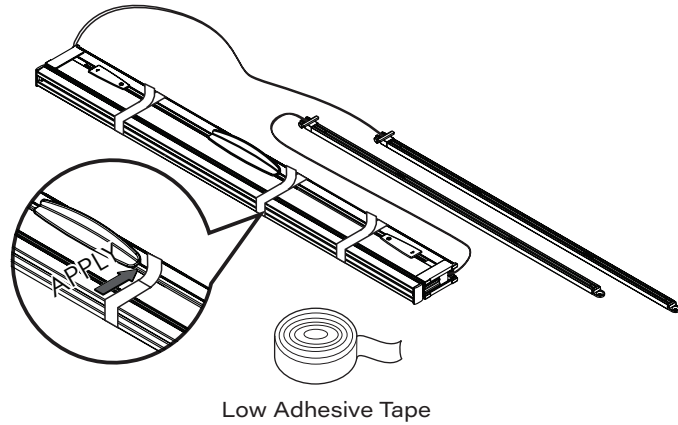
5. Inserting the Mesh Retainer



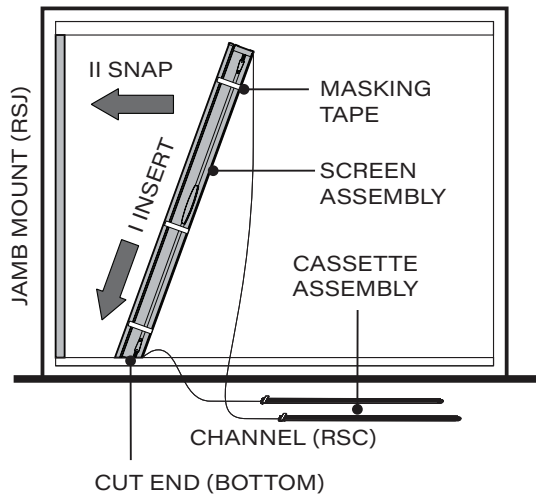
Installation Instructions

6. Installing screen

A



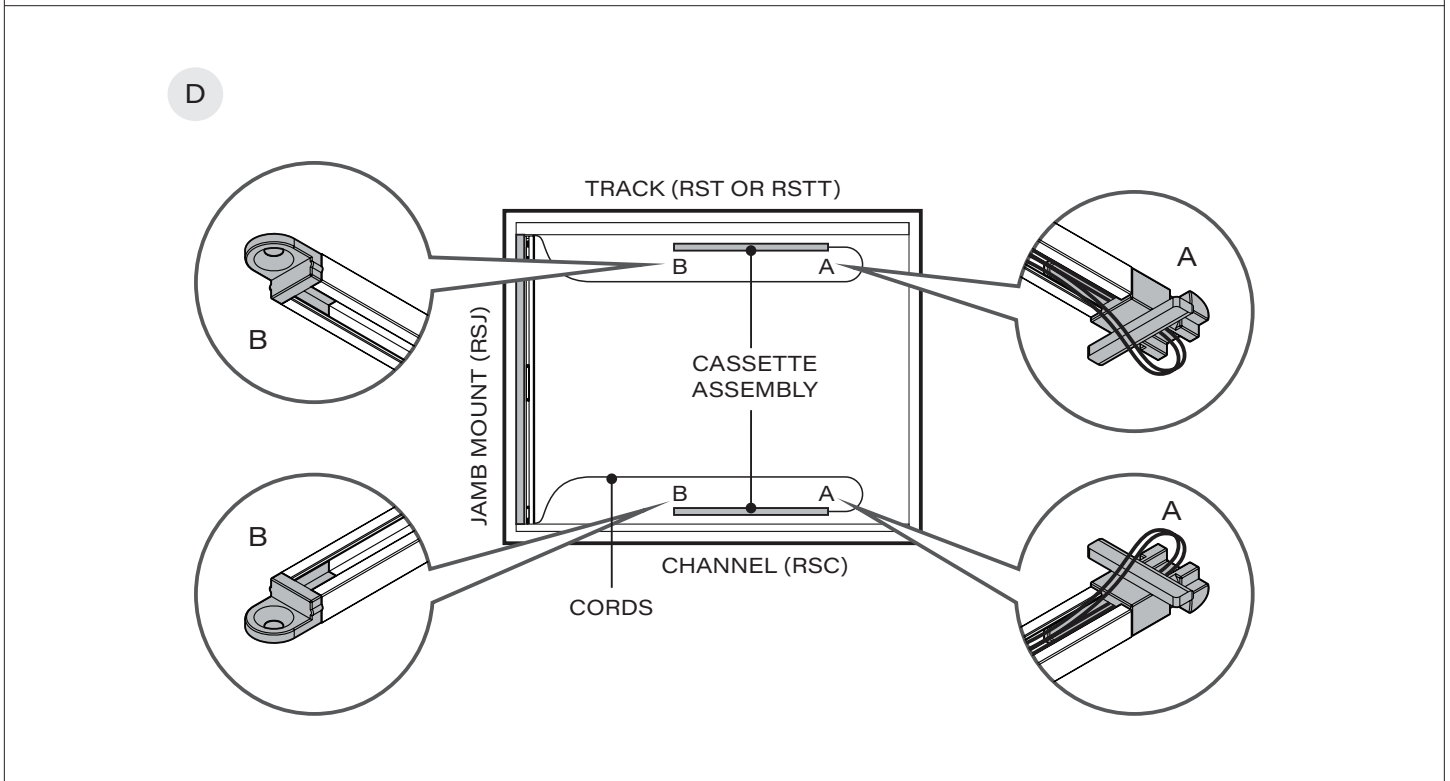
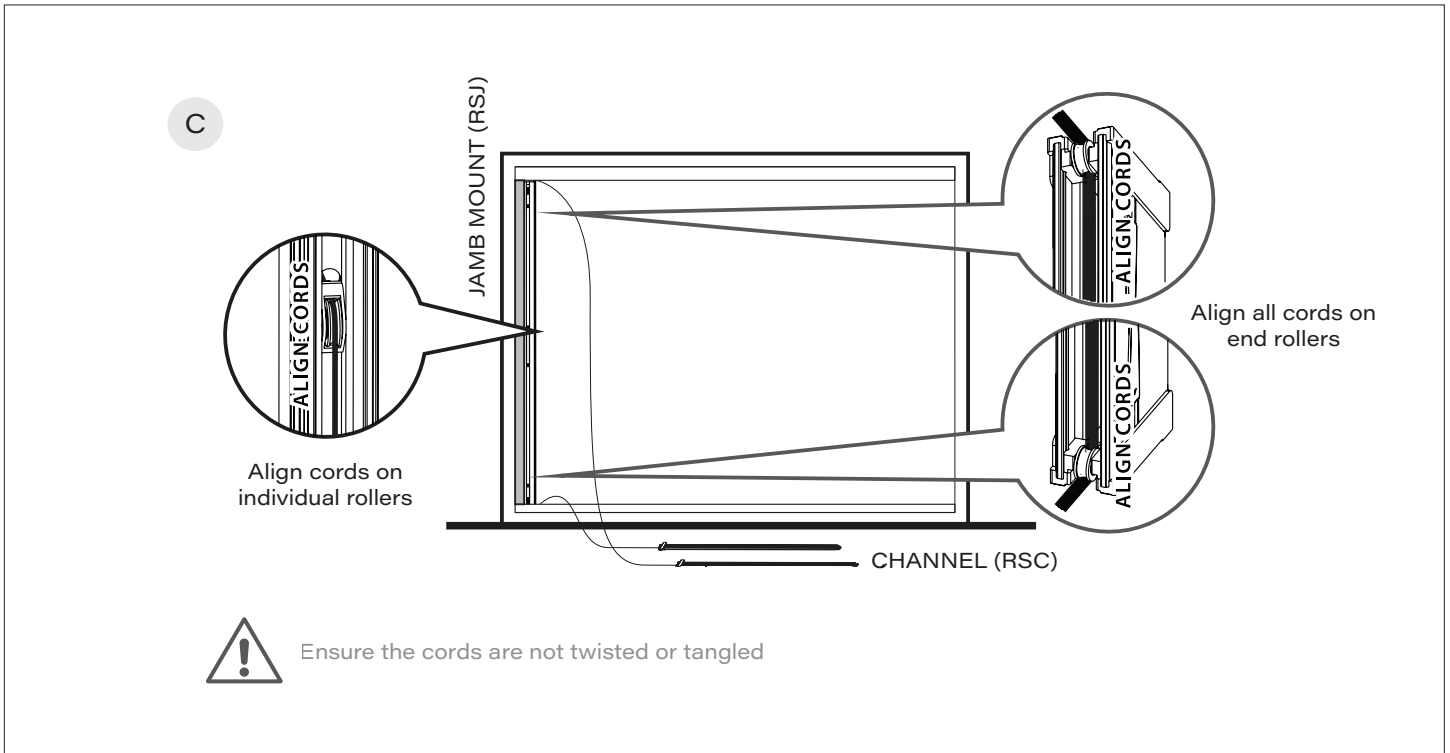
B



Carefully remove wrapping and ensure that the screen assembly is tightly compressed

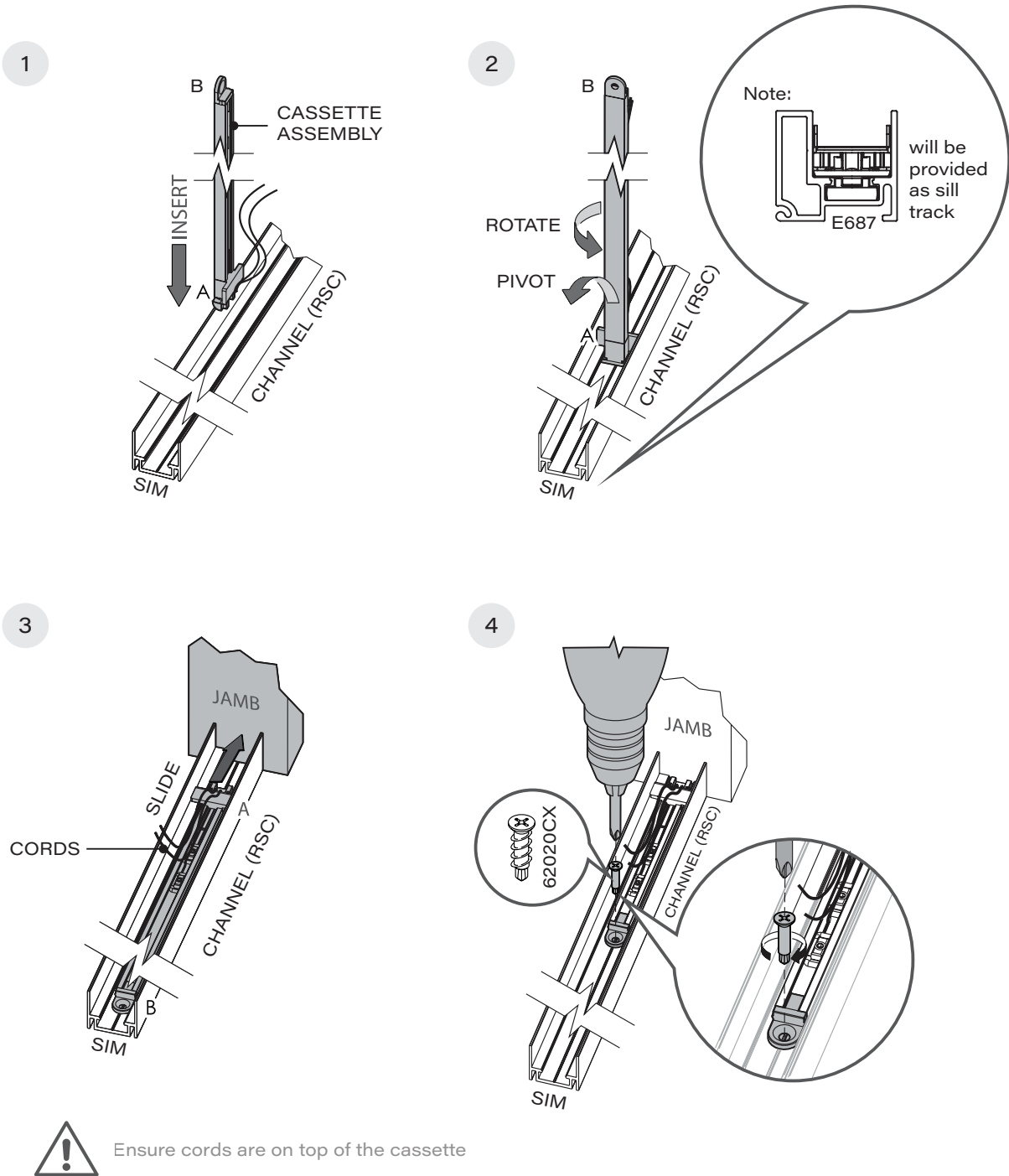
Installation Instructions

6. Installing screen (continued)



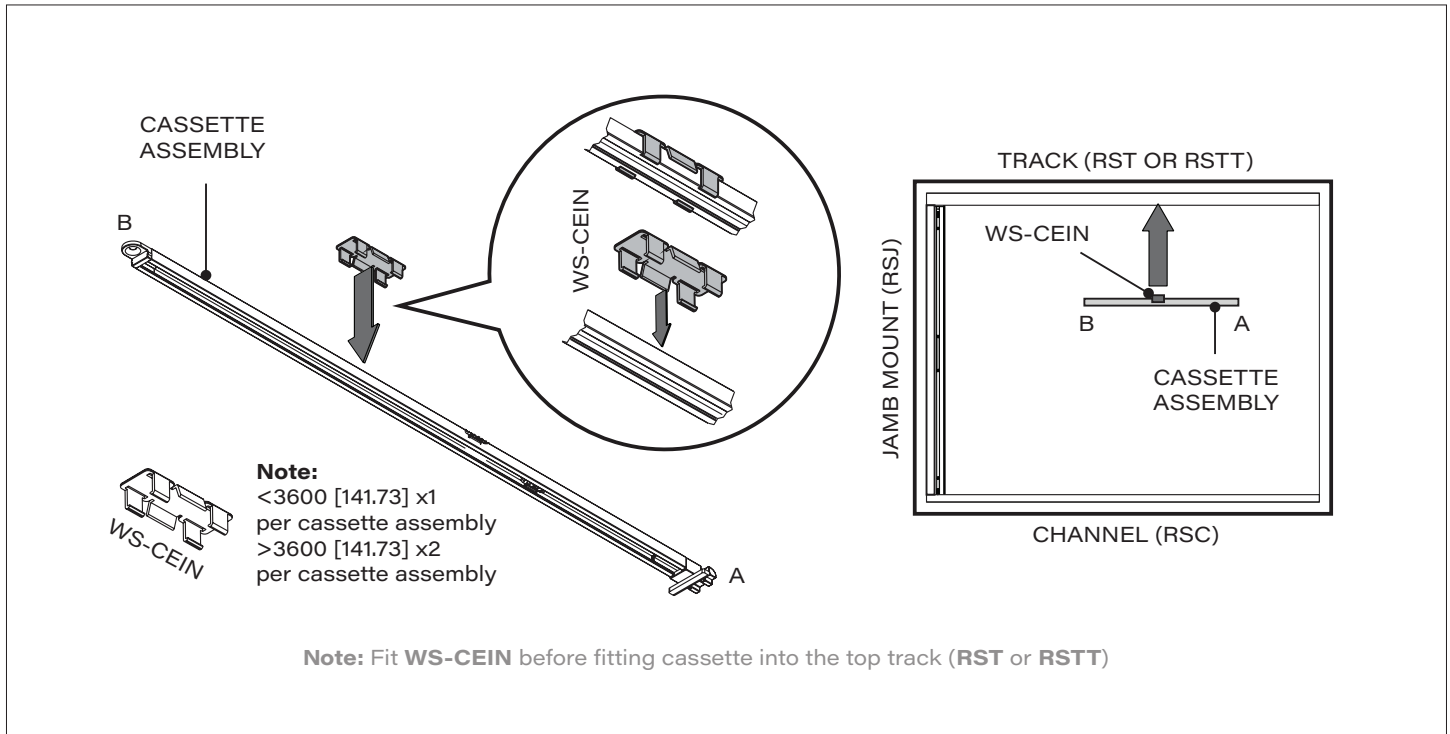
Installation Instructions

7. Fitting Bottom Channel Cassette

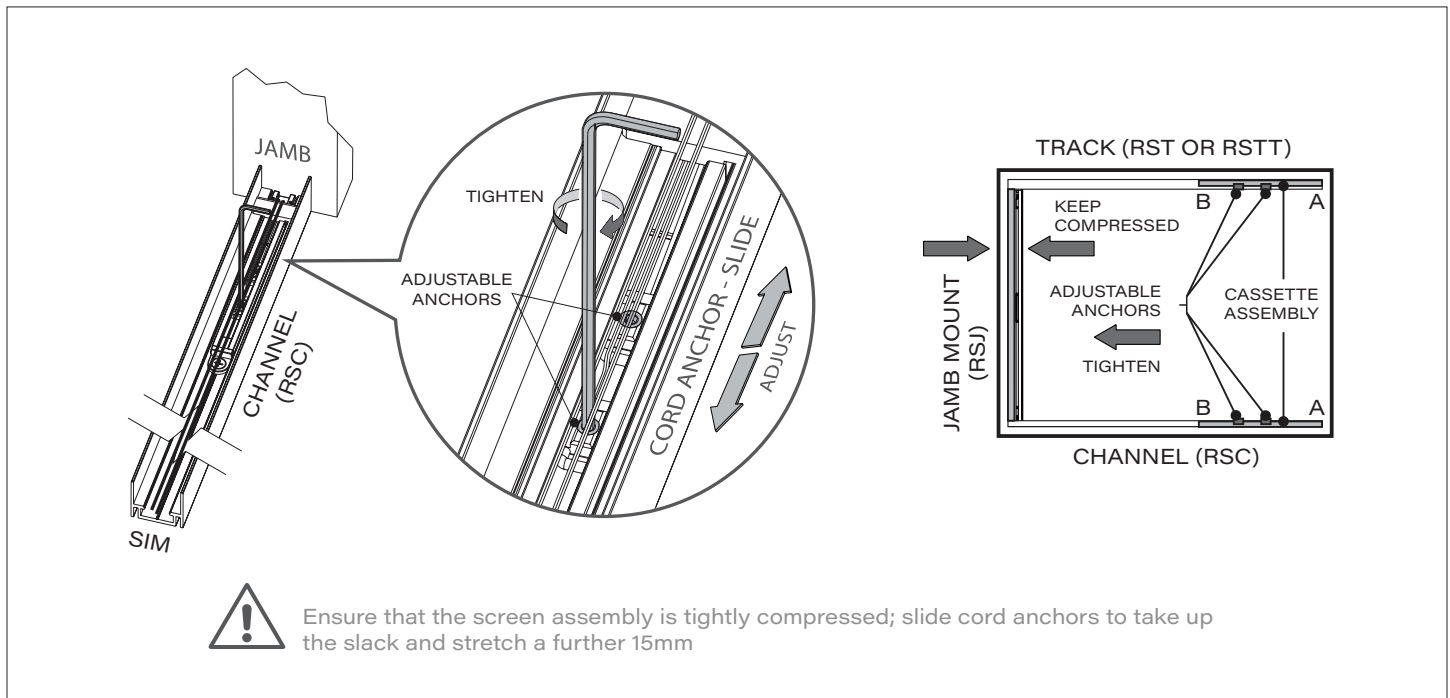


Installation Instructions

8. Fitting Top Track Cassette

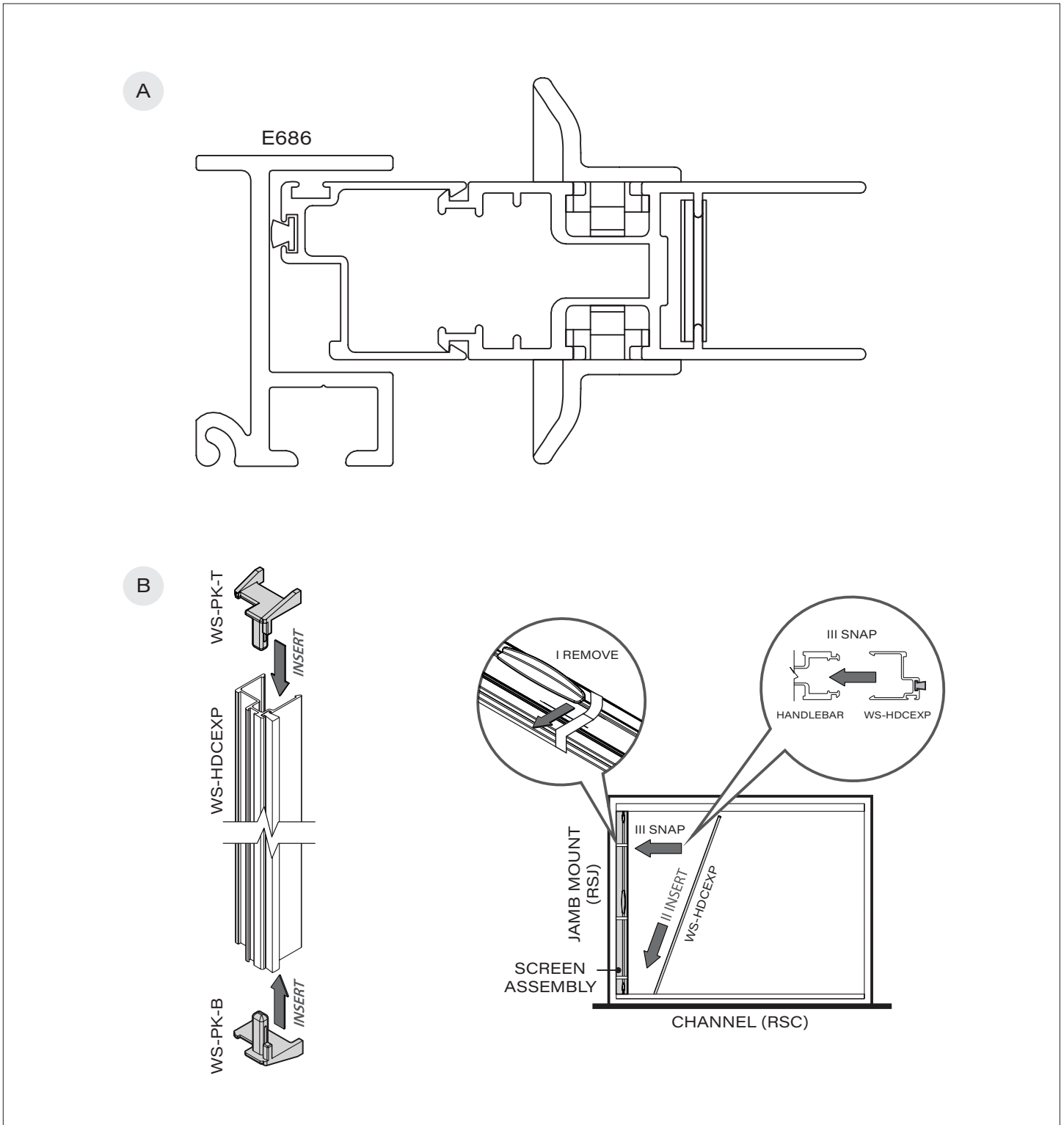


9. Cord Tensioning



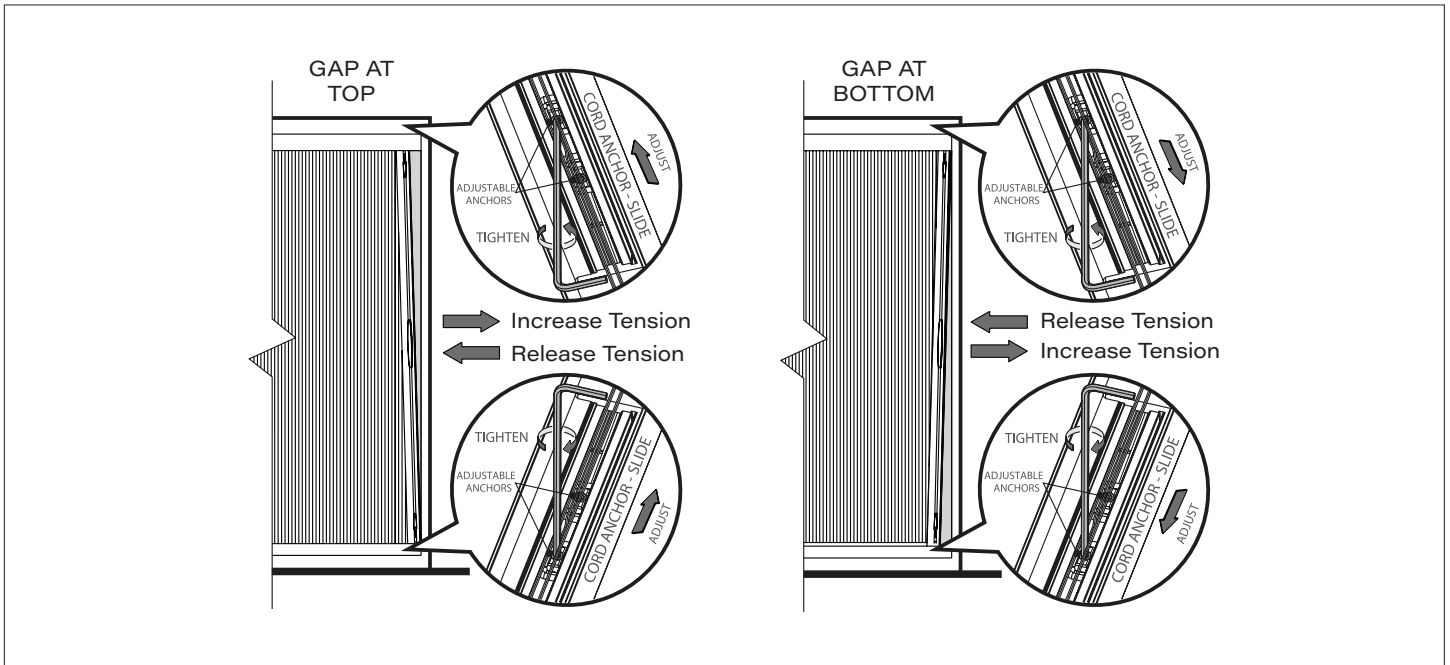
Installation Instructions

10. Preparing Handlebar

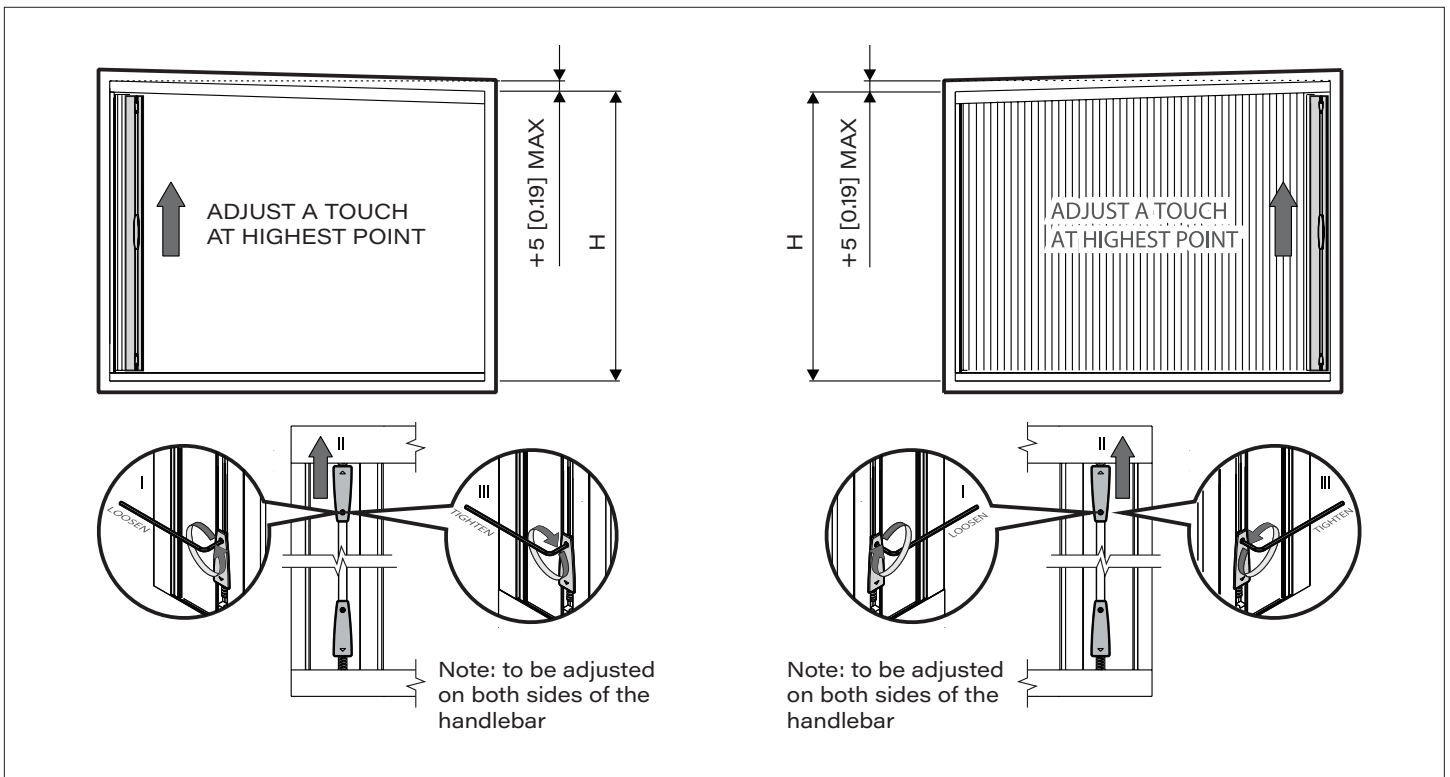


Installation Instructions

11. Handlebar Adjustment

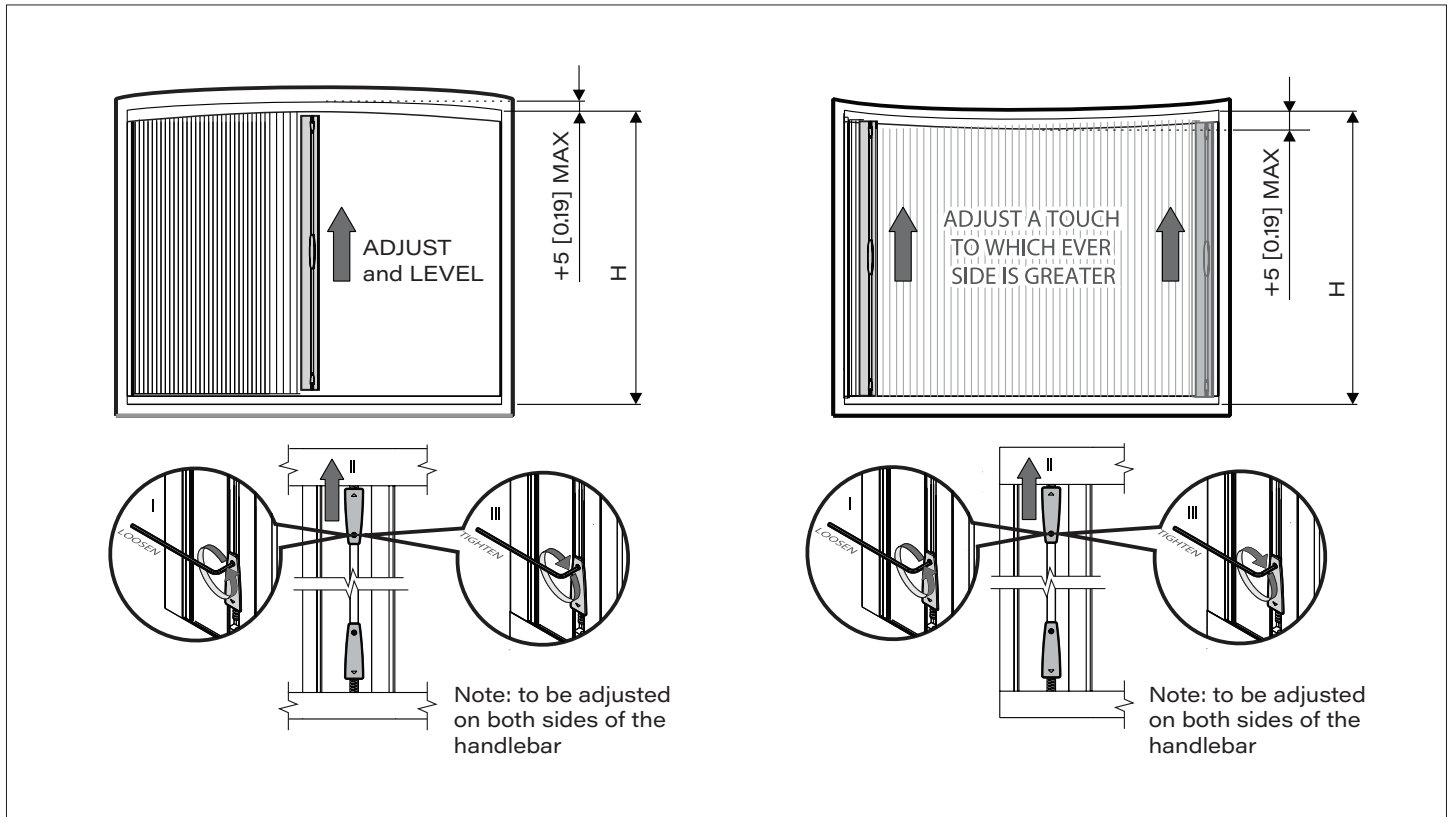


12. Screen Adjustment



Installation Instructions

12. Screen Adjustment (continued)

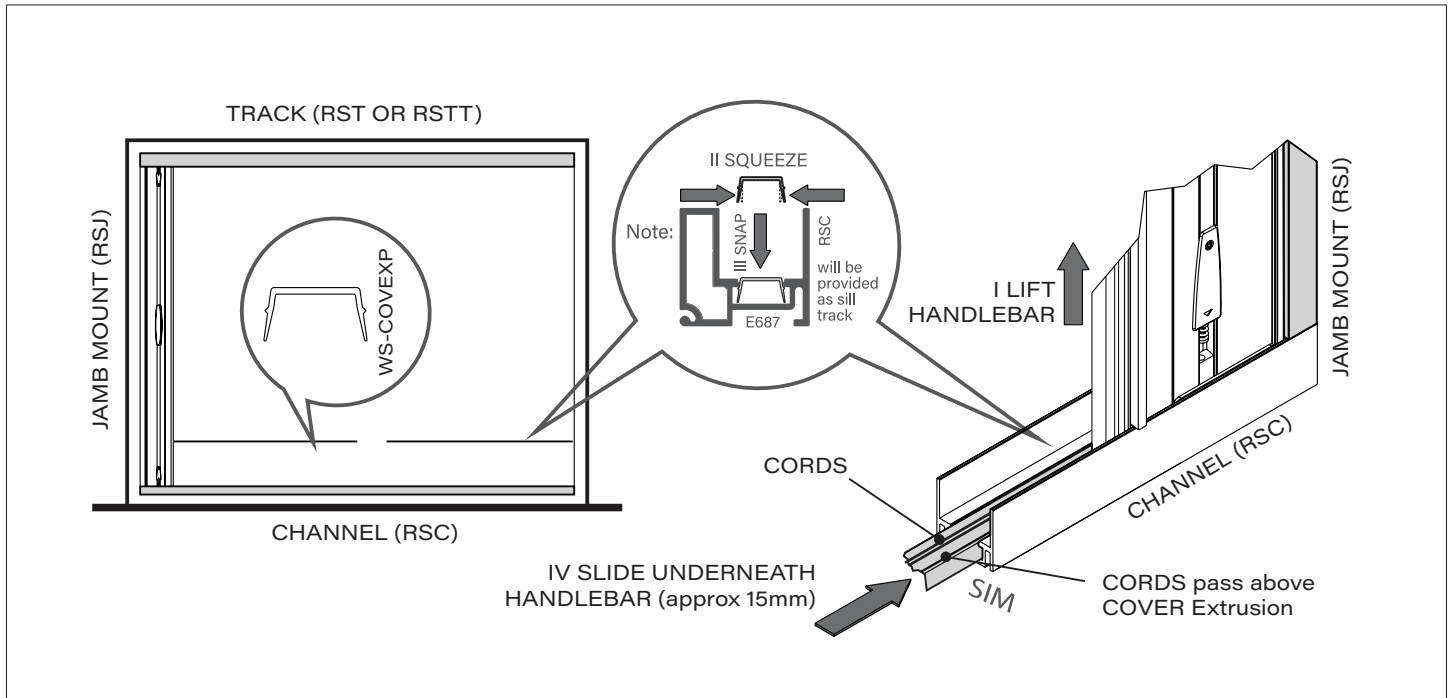


13. Commissioning

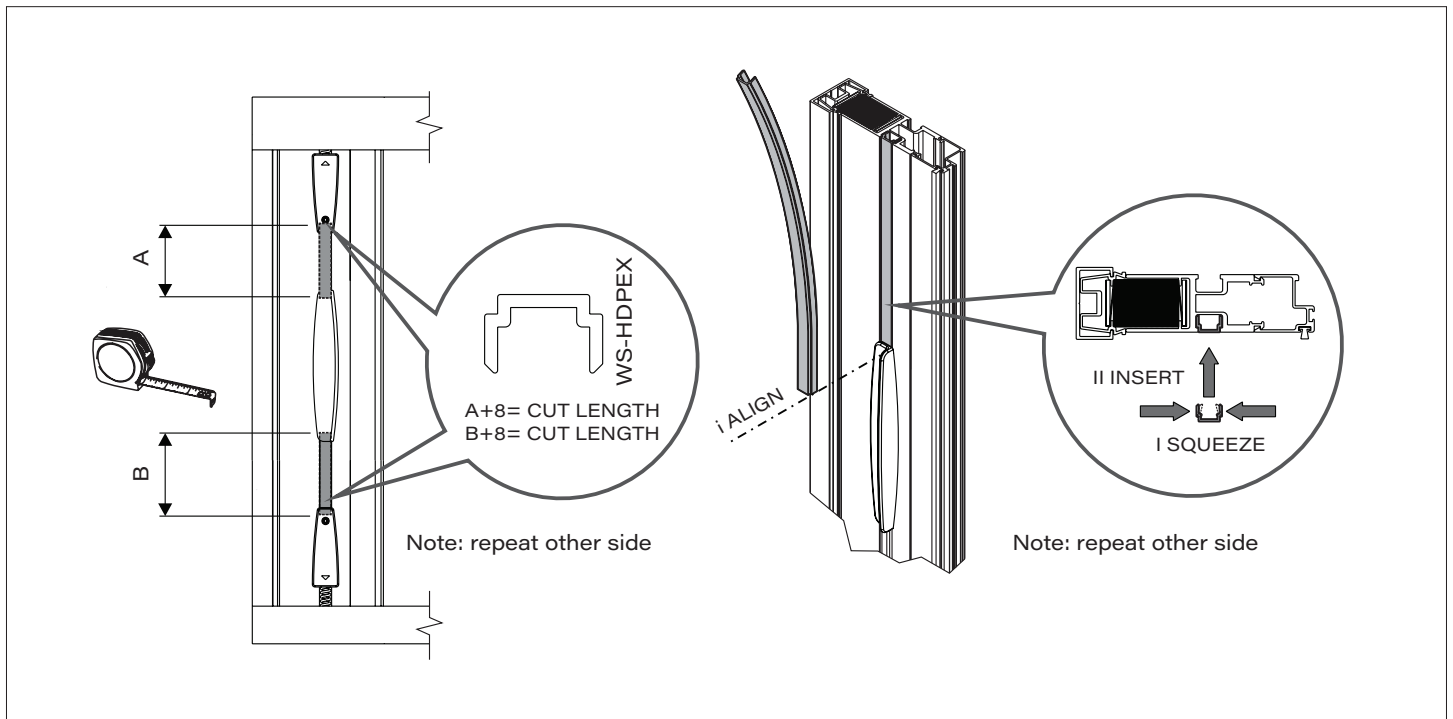
1. Ensure the channel (rsc) is free from dirt and debris.
2. Ensure the screen slides freely from side to side.
3. Ensure the screen meets at the jamb or meeting screen (double or corner applications) without any gaps. (If not, refer to step 11 handlebar adjustment.)
4. Once the screen is operating correctly fit the remaining components (as shown on next page).

Installation Instructions

14. Fitting Channel Covers



15. Fitting Handlebar Trim



Care and Maintenance

- Cleaning the Track and Channel

Dust and debris can collect in the channel (rsc) over time. Removal of such build-up is easy and important to the screen's smooth movement. While the screen is retracted, remove any debris with a soft cloth or a vacuum cleaner with a soft brush nozzle. Dusty or coastal environments will require regular cleaning.

- Cleaning the Screen Mesh

The screen mesh should be lightly dusted to maintain an unobstructed view and air flow. While the screen is extended, remove any build up with a vacuum cleaner with a soft brush nozzle; care should be taken not to tear or rip the mesh.

- Operating Tips

The screen is fitted with "tensioning" cords located within the channel and track that not only provide stability to the screen, but control the vertical orientation of the handlebar and help prevent the mesh from blowing out of the channel and track in windy conditions.

Should the screen mesh blow out, gently retract the screen and the mesh should self-feed back into the track and channel; if not, simply pop the mesh back by hand.

On large openings the screen mesh acts like a sail. In gusty or windy conditions it is recommended to keep the screen retracted to reduce the possibility of damage occurring.

- Servicing

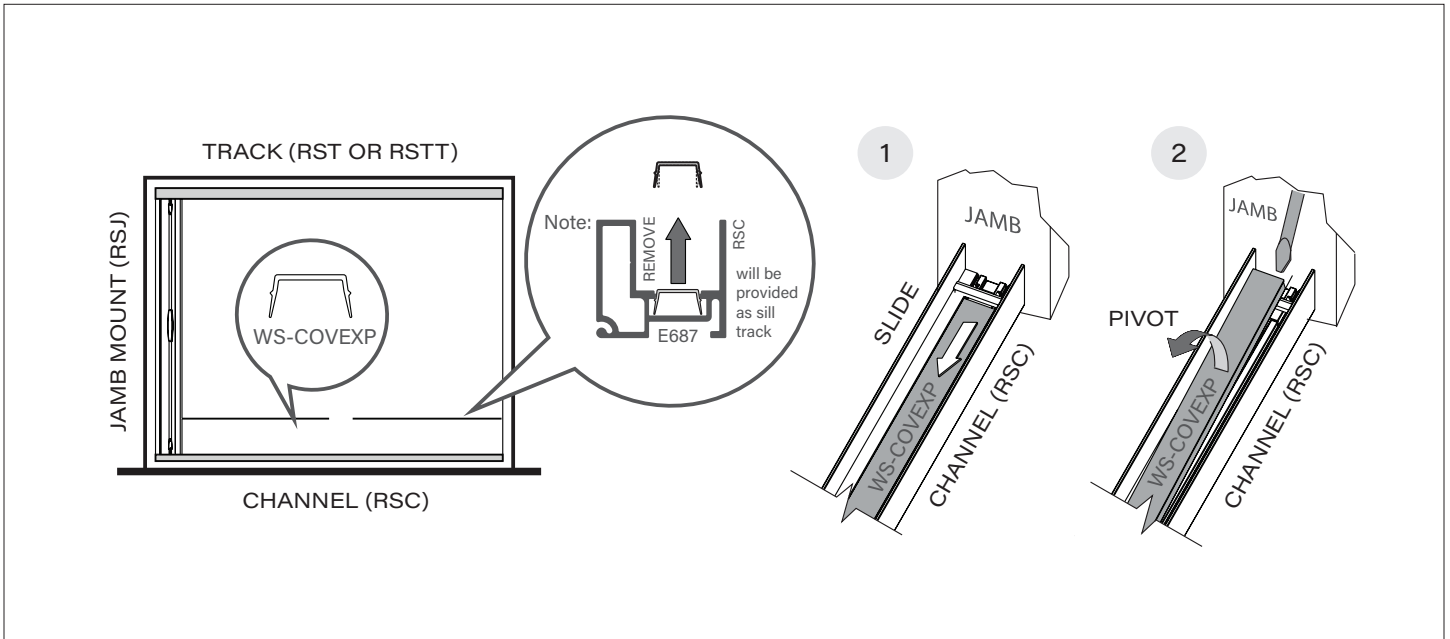
If the mesh is damaged or a tension cord breaks, the screen will need to be replaced. The screen has been designed to be interchangeable with a replacement. It is recommended you contact the original installer.

Warranty

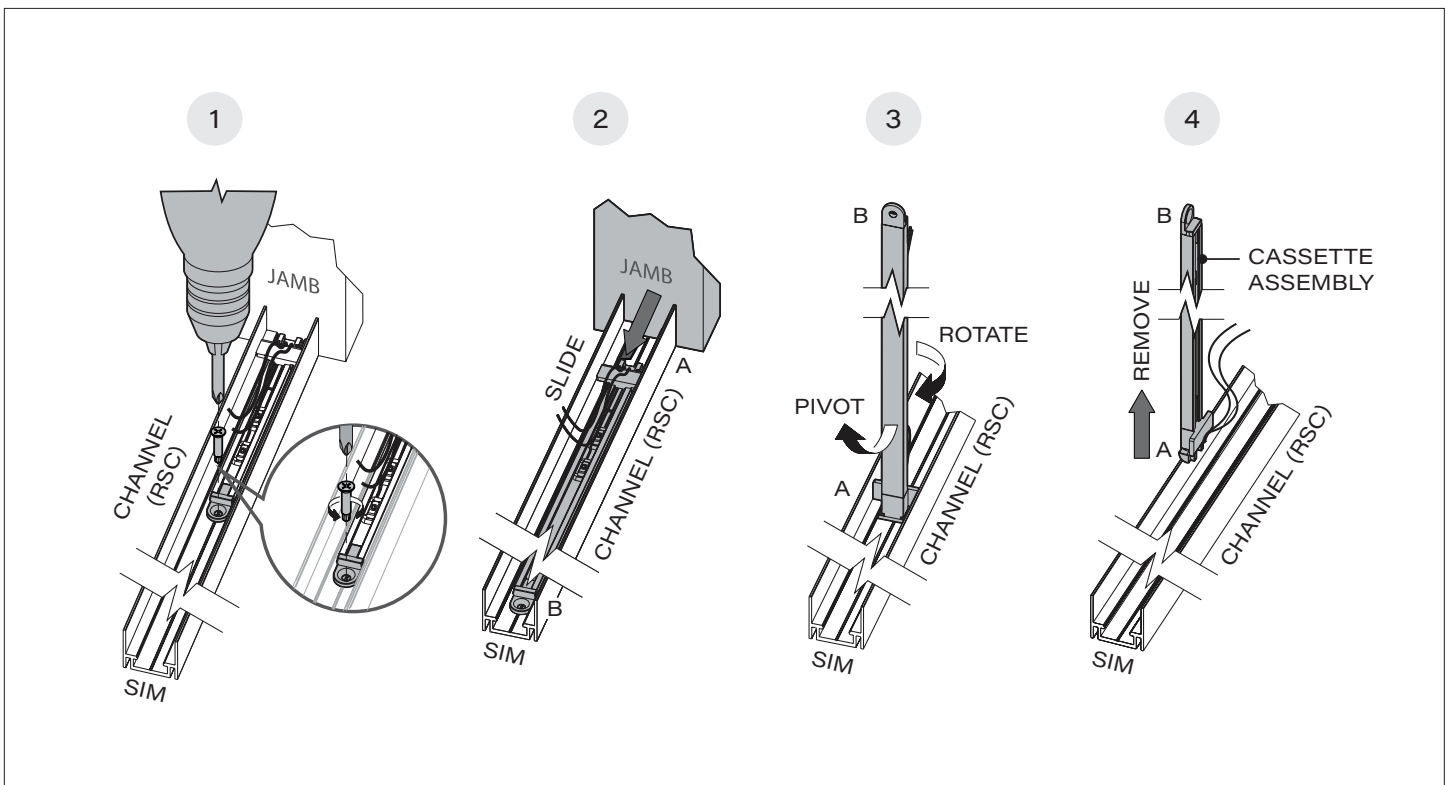
The third-party supplier may offer warranties applicable to the "Retractable Pleated Insect Screen." For more information, contact your Western Window Systems sales representative.

Installation Instructions

1. Remove Channel Covers

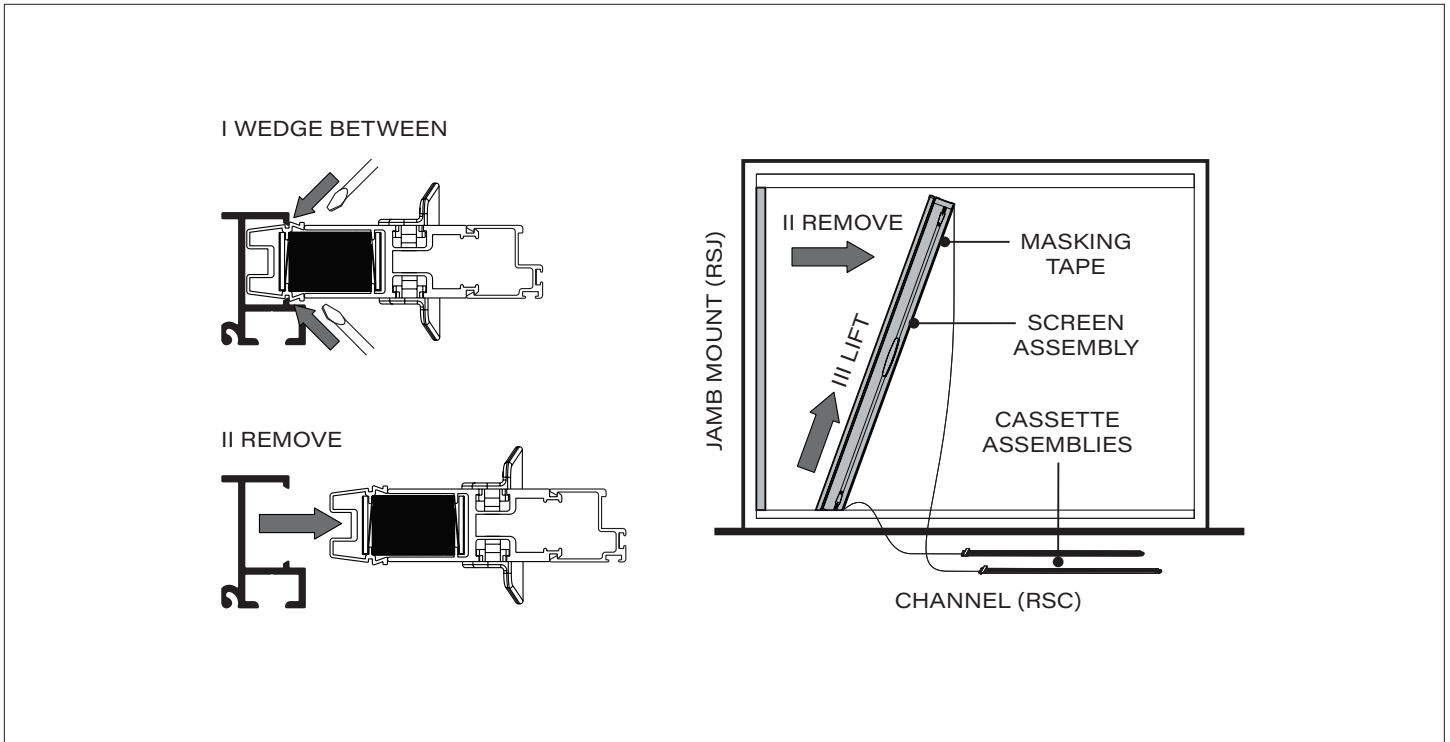


2. Remove Cassettes



Installation Instructions

3. Remove Screen Assembly



4. Replace with New Screen Kit and Follow Instructions Supplied