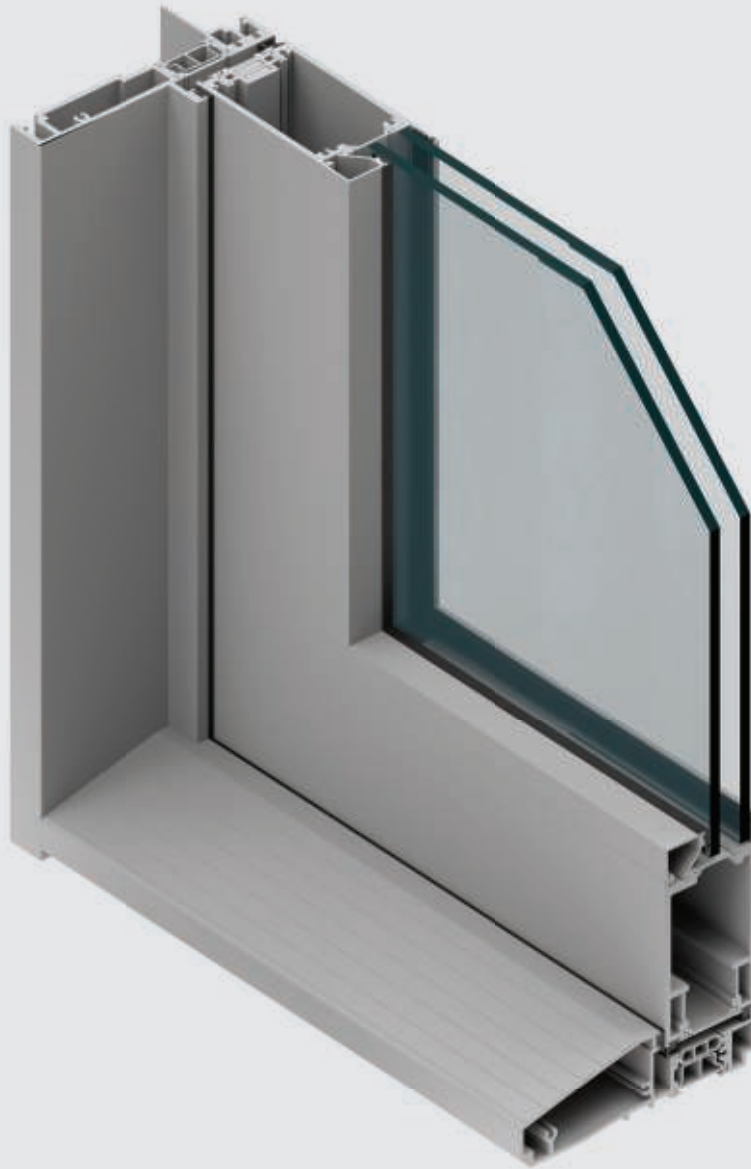


# Series 7900 Hinged Door (In-swing)



## Build Better

**PERFORMANCE LINE:** Our Series 7000 family of moving glass walls and windows addresses energy and structural requirements while promoting contemporary design.

# Series 7900 Hinged Door (In-swing)

The Series 7900 Hinged Door features a wide glass panel that maximizes views and lets in natural light, as well as creating an impressive main entrance or clear interior passage, and it also can connect the indoors with the outside via a patio, deck, or balcony. The door is available in single or double in-swing configurations and can be partnered with any of our window styles. Standards jambs are available for panel sizes up to 4' x 10'. Heavy-duty jambs are required for larger sizes (up to 5' x 12').

## ENERGY EFFICIENCY

A .31 U-value for standard low-E, argon-filled dual-pane glass or a .21 U-value for high-performance triple-pane glass gives the door excellent energy efficiency and is tested for air, water, and structural performance and is certified by the NFRC and AAMA. Glass can be customized in a variety of coatings, tints, and thicknesses for improved privacy, protection, and thermal efficiency. Our signature aluminum extrusion design further reduces energy consumption. The Series 7900 features Energy Star-qualified options and complies with California's rigorous Title 24 requirements.

## HARDWARE

On doors over eight feet tall, stainless steel roller catches are utilized to pull the door tight.

## OPTIONS

The standard threshold is 5.875" wide and features a 1.69" exterior step that protects against water penetration. The commercial threshold favors ease of entry over protection from the elements and is capable of meeting ADA requirements. Our premium handle features a minimal one-piece design. Lock options include the Type C lock (standard deadbolt), three-point, five-point, or six-point lock.

## FINISHES AND COLORS

Finishes are available in-stock or as designer selections, and they can be customized to match nearly any color. Split finishes are available in many combinations. Bronze Anodized and Satin Anodized come standard with a Class 1 coating thickness for increased smoothness and durability. Our designer colors include a high-quality paint finish that conforms to a minimum rating of AAMA-2605, currently the highest rating for organic finishes.

## PERFORMANCE

Frame Depth	5 7/8"
AAMA Product Designation (AAMA/WDMA/CSA101/I.S.2/A440 Designation)	CW-PG50-48x120-LW-SHD
Test Configuration	48" x 120" X Swing-In
Air Infiltration (Per ASTM E 283)	.07 cfm/sf @1.57 psf
CSA A440 Air	A3
Water Resistance (Per ASTM E 547)	0.00 psf
Uniform Load Deflection (Per ASTM E 330)	50 psf
Uniform Load Structural (Per ASTM E 330)	75 psf
Forced Entry Resistance	AAMA 1304-02
U-Factor (Per NFRC 100)*	0.31
CR (Per NFRC 500)*	53
CRF Frame (Per AAMA 1503)	70

Actual values may vary depending on product specifications and configuration.  
\*Glass Makeup = 1" OA E366/Argon/Clear



Series 7900 Hinged Right - Swing In Door  
Standard Jamb - Equal Leg Frame



Series 7900 Hinged Right - Swing In Door  
Standard Jamb - Nail-Fin Frame

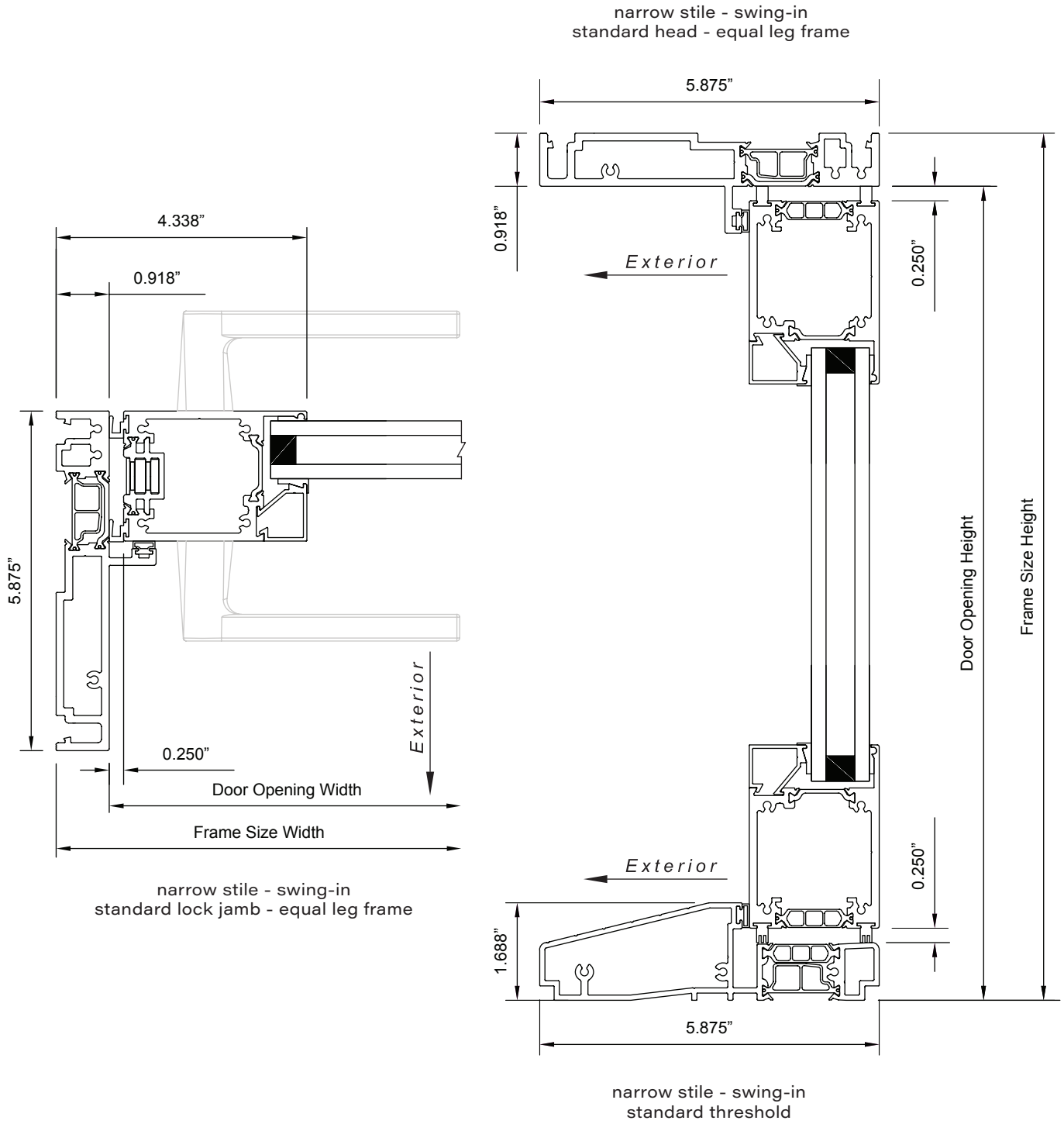


Series 7900 Hinged Right - Swing In Door  
Heavy-Duty Jamb - Equal Leg Frame



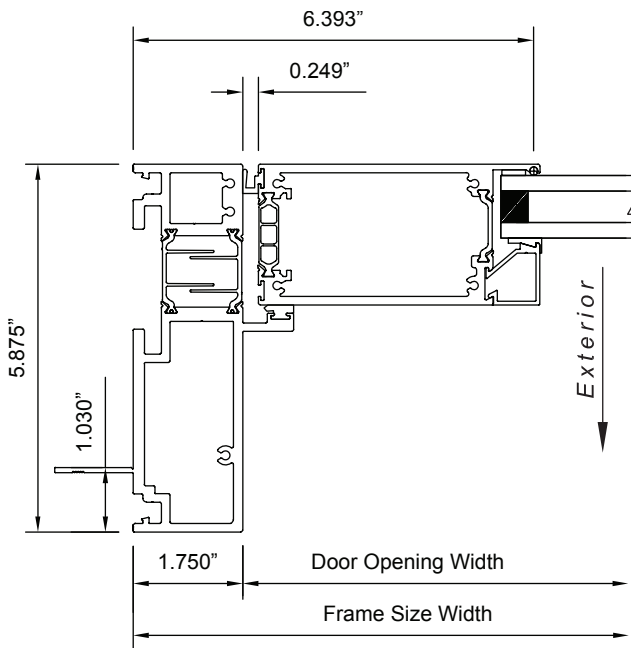
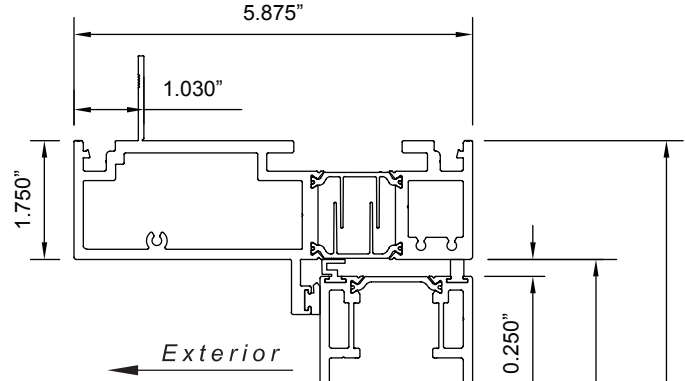
Series 7900 Hinged Right - Swing In Door  
Heavy-Duty Jamb - Nail-Fin Frame

# Series 7900 Hinged Door (In-swing)

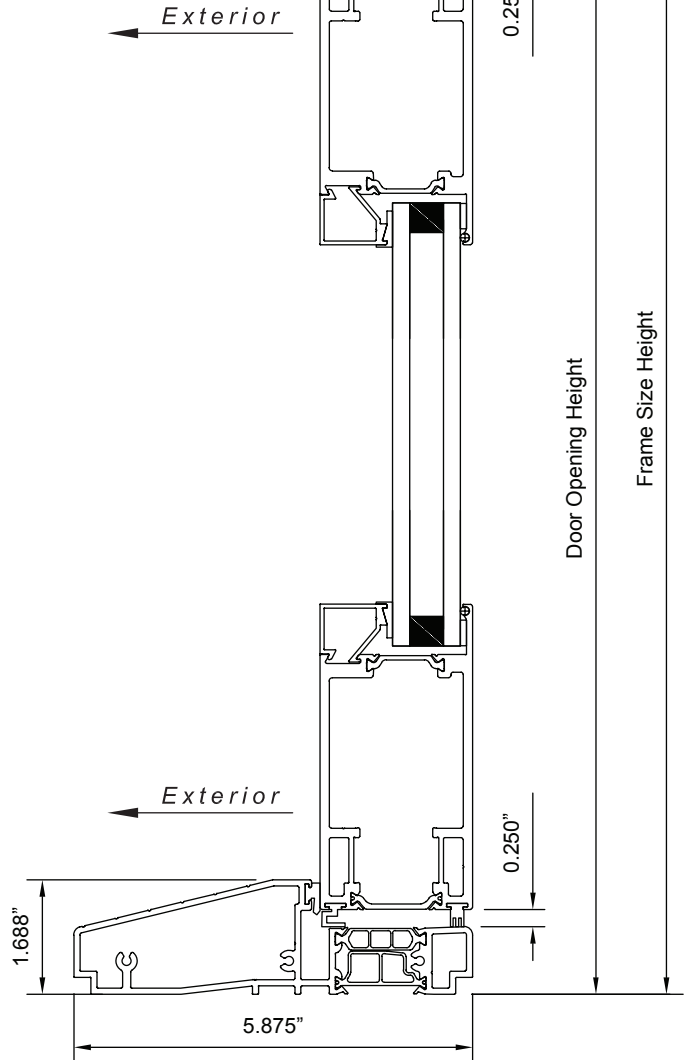


# Series 7900 Hinged Door (In-swing)

medium stile - swing-in  
heavy-duty head - nail-fin frame

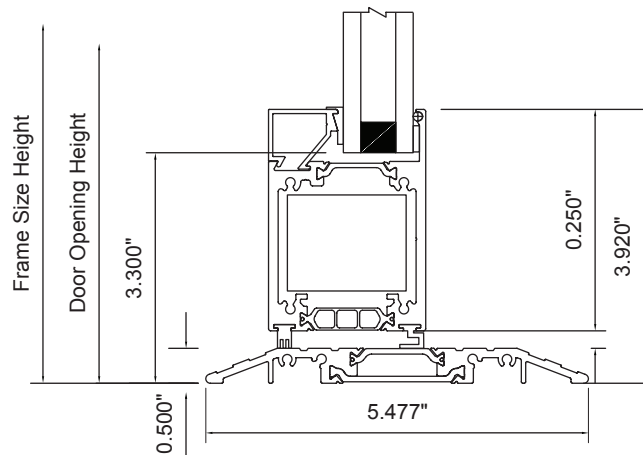


medium stile - swing-in  
heavy-duty lock jamb - nail-fin frame



medium stile - swing-in  
standard threshold

# Series 7900 Hinged Door (In-swing)



swing-out  
commercial threshold